



WORKSTEAD

canopy

WORKSTEAD



CANOPY SCONCE
white enamel

WORKSTEAD



CANOPY SCONCE
black enamel

WORKSTEAD



CANOPY SCONCE
hewn brass

WORKSTEAD



CANOPY SCONCE
brushed nickel

WORKSTEAD

CANOPY SCONCE

hardwired

Description

The CANOPY SCONCE deconstructs the conventional wall sconce into a series of expressed, geometric relationships. A bold conical shroud rises above a softly glowing bulb creating a canopy of diffused reflection. UL Listed. Damp Rated upon request.

Finish Options

White Enamel
Black Enamel
Hewn Brass
Brushed Nickel

Dimensions

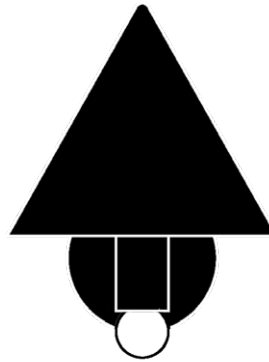
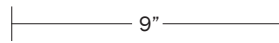
Shade Height - 8"
Shade Diameter - 9"
Backplate Diameter - 5"
Overall Fixture Height - 12"
Overall Fixture Depth - 12"

Weight

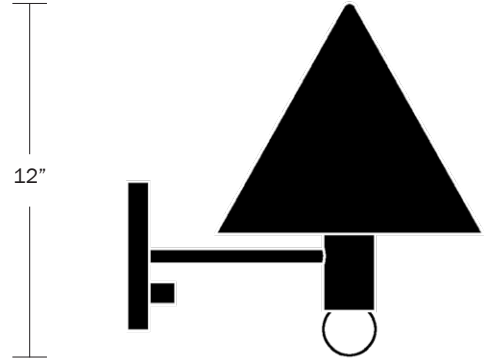
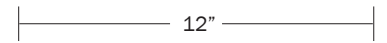
5 lbs

Lamp

60 Watt Incandescent Max
5W Dimmable LED Bulb Included
2" Diameter With Porcelain Finish
40 Watt Equivalent
325 Lumens
2700K Color Temperature
Bulb Life 30,000 Hours
110/120V, E12
220/240V, E14
UL/CE Listed
Damp Rated Upon Request

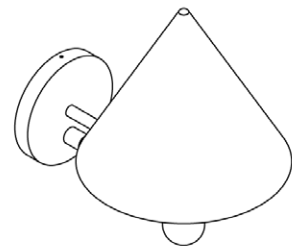
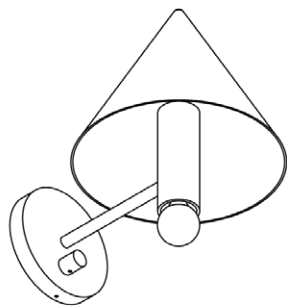
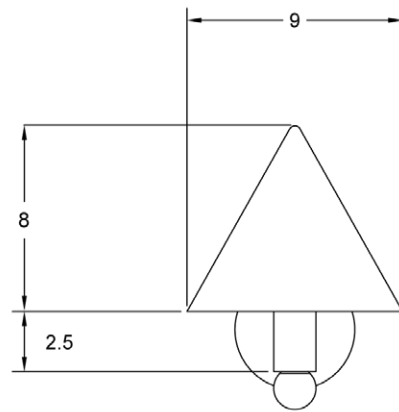
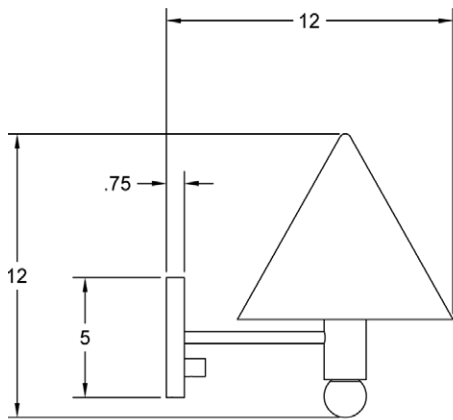


front



side

WORKSTEAD



WORKSTEAD



HELIOS ADA SCONCE
hewn brass

WORKSTEAD



HELIOS ADA SCONCE
brushed nickel

WORKSTEAD



HELIOS ADA SCONCE
hand finished bronze

WORKSTEAD

HELIOS ADA SCONCE

hardwired

Description

A fixed, wall-mounted version of our classic HELIOS TABLE LAMP, this ADA compliant fixture is a sculptural object d'art. This SCONCE celebrates the celestial while maintaining a minimal footprint. A monumental spun-metal disc amplifies the glow from a single point of light, evoking the magnitude of planets on a human scale. UL Listed. Damp Rated upon request.

Finish Options

Hewn Brass
Brushed Nickel
Hand Finished Bronze

Dimensions

Overall Fixture Height - 13"
Dish Diameter - 12"
Backplate Diameter - 5"
Overall Fixture Depth - 4"

Weight

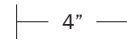
5 lbs

Lamp

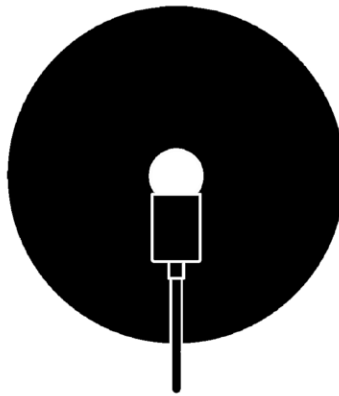
60 Watt Incandescent Max
5W Dimmable LED Bulb Included
2" Diameter With Porcelain Finish
40 Watt Equivalent
325 Lumens
2700K Color Temperature
Bulb Life 30,000 Hours
110/120V, E12
220/240V, E14
UL/CE Listed
Damp Rated Upon Request



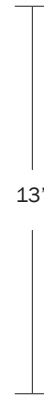
12"



4"



front

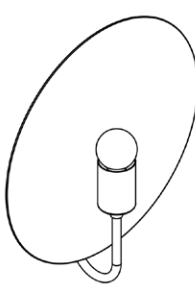
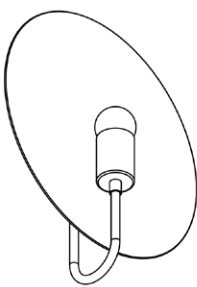
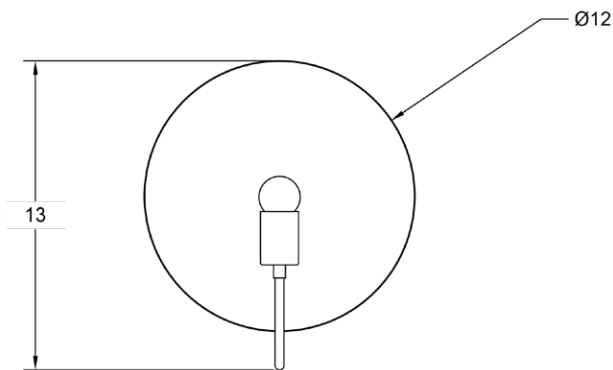
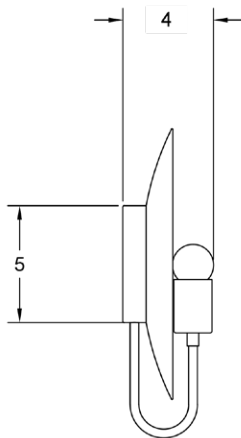


13"



side

WORKSTEAD



WORKSTEAD



ORBIT ADA SCONCE
hewn brass

WORKSTEAD



ORBIT ADA SCONCE
brushed nickel

WORKSTEAD



ORBIT ADA SCONCE
hand finished bronze

WORKSTEAD

ORBIT ADA SCONCE

hardwired

Description

A fixed version of our classic ORBIT SCONCE, this ADA compliant fixture is perfectly proportioned for any space where a minimal profile is desired. A modern take on an early American candle form, the piece features a radiant disc that amplifies the glow from a single point of light. UL Listed. Damp Rated upon request.

Finish Options

Hewn Brass
Brushed Nickel
Hand Finished Bronze

Dimensions

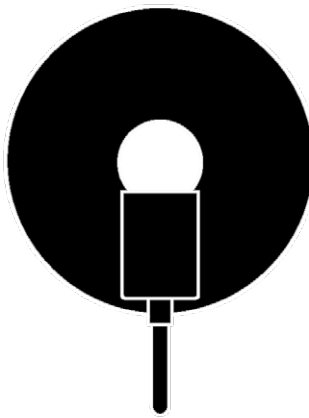
Overall Fixture Height - 9"
Dish Diameter - 7"
Backplate Diameter - 5"
Overall Fixture Depth - 4"

Weight

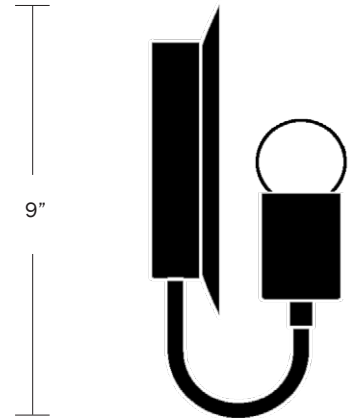
4 lbs

Lamp

60 Watt Incandescent Max
5W Dimmable LED Bulb Included
2" Diameter With Porcelain Finish
40 Watt Equivalent
325 Lumens
2700K Color Temperature
Bulb Life 30,000 Hours
110/120V, E12
220/240V, E14
UL/CE Listed
Damp Rated Upon Request

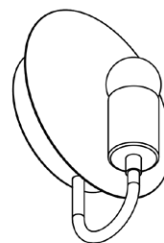
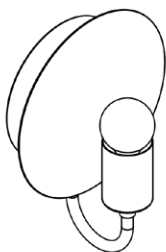
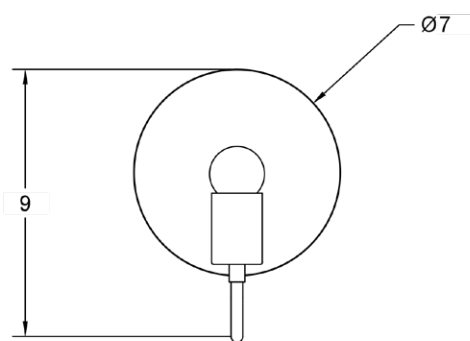
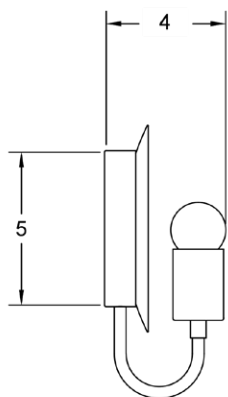


front



side

WORKSTEAD





WORKSTEAD

archetype

WORKSTEAD



BLOCK SCONCE
hewn brass

WORKSTEAD

BLOCK SCONCE

hardwired

Description

The BLOCK SCONCE incorporates a sequence of interlocking cubist forms to create a relief-like composition. BLOCK maintains a rigorous orthogonal geometry, while emitting a delicate luminosity. Suitable for use as accent lighting across a broad range of residential and hospitality applications.

Finish Options

Hewn Brass
Brushed Nickel
Industrial Black

Dimensions

Overall Height - 10"
Depth - 11"
Width - 5"
Length of Pull - 6"

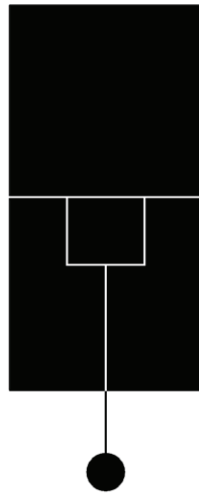
Weight

10 lbs

Lamp

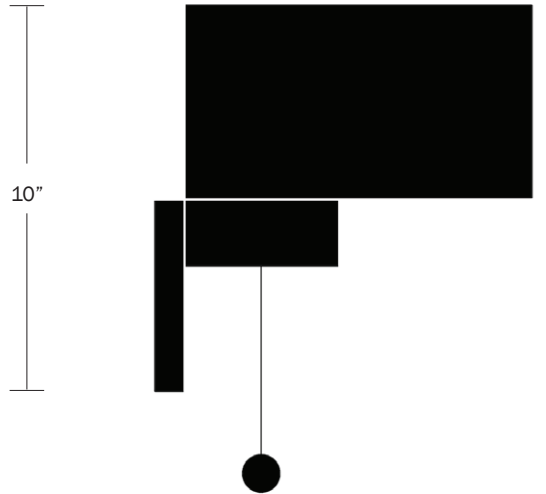
60 Watt Incandescent Max
12W Non-Dimmable LED Bulb Included
4" Light Rod
1100 Lumens
100 Watt Equivalent
2700K Color Temperature
30,000 Hours
110/120V, E12
220/240V, E14
UL/CE Listed
Damp Rated Upon Request

5"



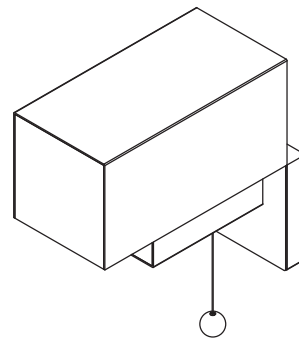
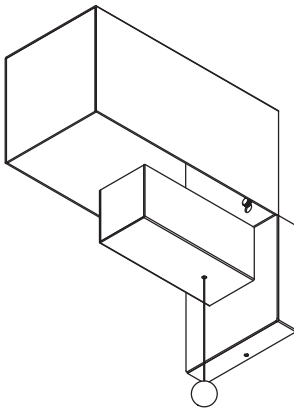
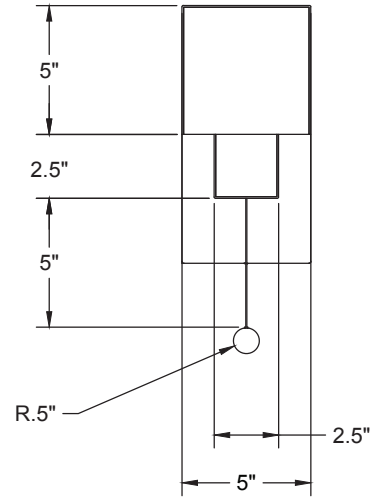
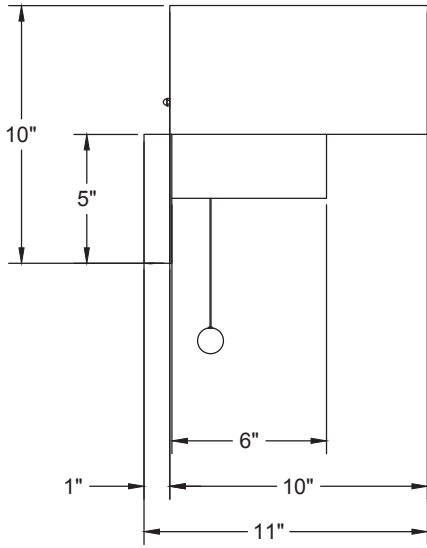
front

11"



side

WORKSTEAD



WORKSTEAD



BLOCK PENDANT
hewn brass

WORKSTEAD

BLOCK PENDANT

hardwired

Description

The BLOCK PENDANT incorporates a sequence of interlocking cubist forms to create a relief-like composition. BLOCK maintains a rigorous orthogonal geometry, while emitting a delicate luminosity. Suitable for use as accent lighting over a variety of table, counter, or bar top settings.

Finish Options

Hewn Brass
Brushed Nickel
Industrial Black

Dimensions

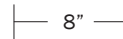
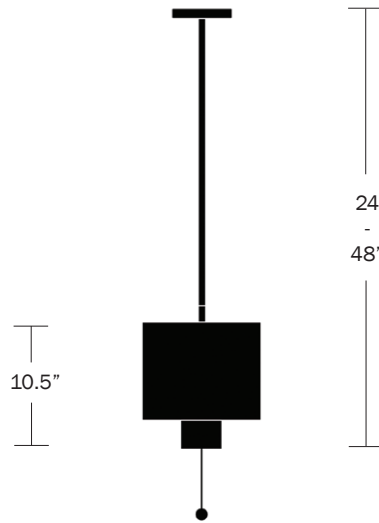
Small - 24"
Medium - 36"
Large - 48"
Width - 48"
Depth - 8"
Canopy Diameter - 5"
Length of Pull - 6"
Custom Heights Available Upon Request

Weight

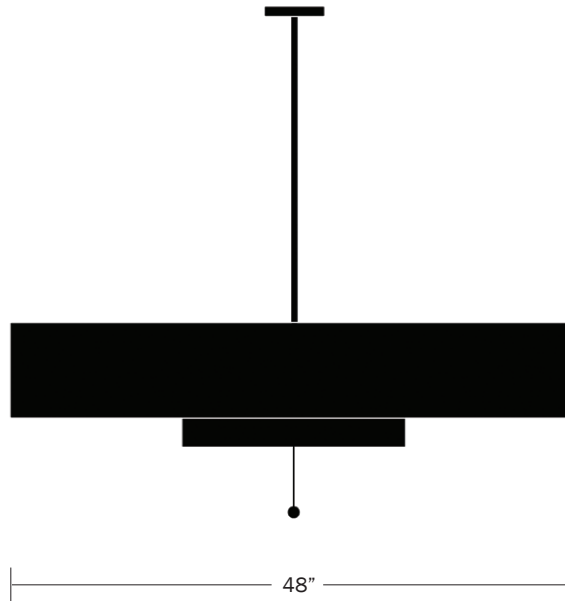
45 lbs

Lamp

60 Watt Incandescent Max
(2) 12W Non-Dimmable LED Bulbs Included
4" Light Rod
2200 Total Lumens
100 Watt Equivalent Each
2700K Color Temperature
30,000 Hours
110/120V, E12
220/240V, E14
UL/CE Listed
Damp Rated Upon Request

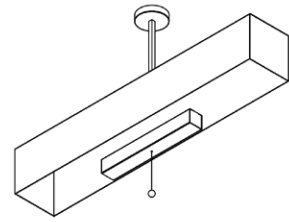
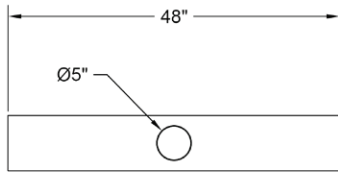
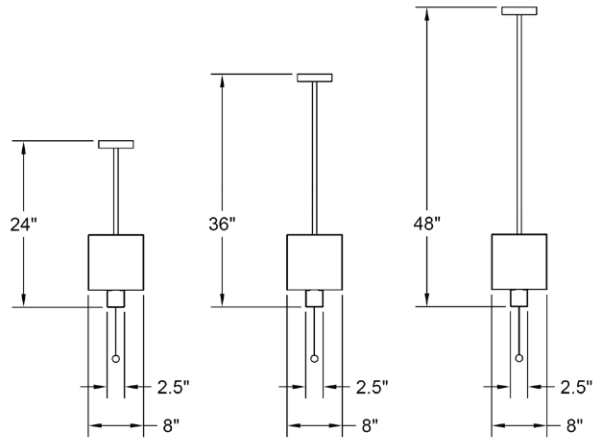
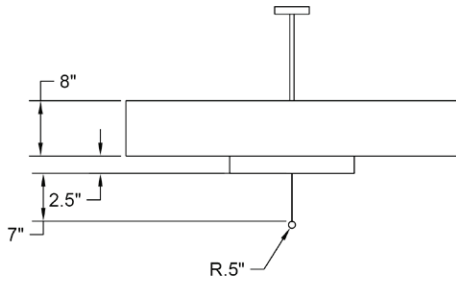


side



front

WORKSTEAD



WORKSTEAD



BLOCK FLOOR LAMP
brushed nickel

WORKSTEAD

BLOCK FLOOR LAMP

plug-in

Description

The BLOCK FLOOR LAMP incorporates a sequence of interlocking cubist forms to create a relief-like composition. BLOCK maintains a rigorous orthogonal geometry, while emitting a delicate luminosity. Suitable for use as accent lighting in residential and hospitality settings.

Finish Options

Hewn Brass
Brushed Nickel
Industrial Black

Dimensions

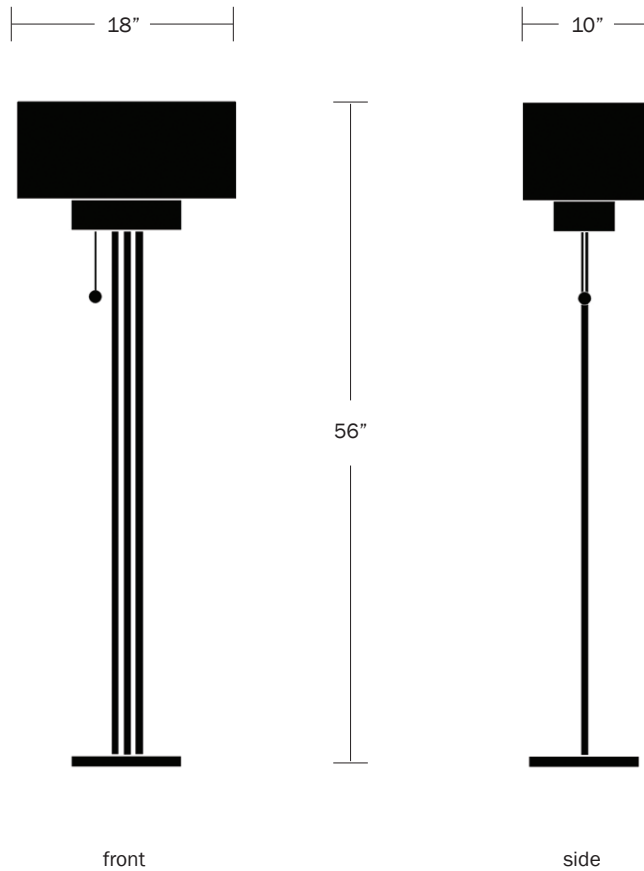
Overall Height - 56"
Width - 18"
Depth - 10"
Length of Pull - 6"

Weight

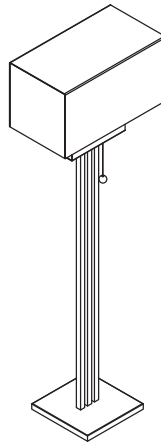
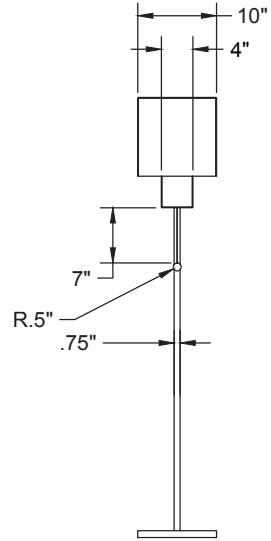
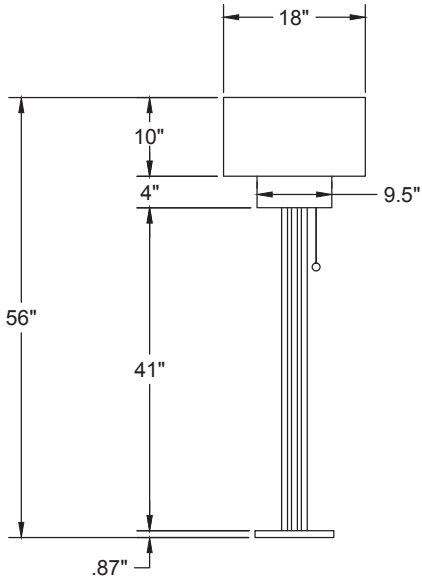
20 lbs

Lamp

60 Watt Incandescent Max Per Socket
(2) 5W Dimmable LED Bulbs Included
2" Diameter with Porcelain Finish
650 Total Lumens
40 Watt Equivalent Each
2700K Color Temperature
Bulb Life 30,000 Hours
110/120V, E12
220/240V, E14
UL/CE Listed
Damp Rated Upon Request



WORKSTEAD



WORKSTEAD



GABLE SCONCE
industrial black

WORKSTEAD

GABLE SCONCE

hardwired

Description

The GABLE SCONCE references modern and post-modern architectural forms to create a bold, graphic geometry. GABLE emits a delicate luminosity, highlighting its sculptural presence. Suitable for use as accent lighting across a broad range of residential and hospitality applications.

Finish Options

Hewn Brass
Brushed Nickel
Industrial Black

Dimensions

Overall Height - 9"
Depth - 11"
Width - 5"
Length of Pull - 6"

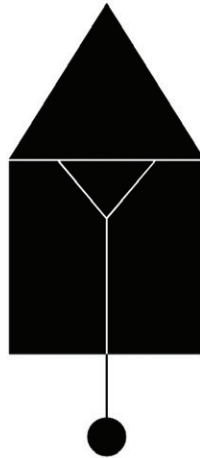
Weight

10 lbs

Lamp

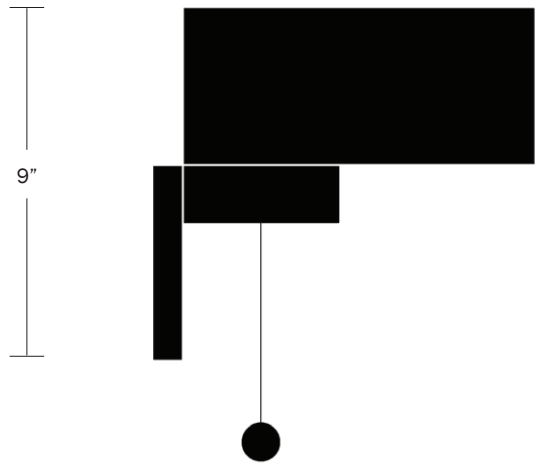
60 Watt Incandescent Max
12W Non-Dimmable LED Bulb Included
4" Light Rod
1100 Lumens
100 Watt Equivalent
2700K Color Temperature
30,000 Hours
110/120V, E12
220/240V, E14
UL/CE Listed
Damp Rated Upon Request

5"



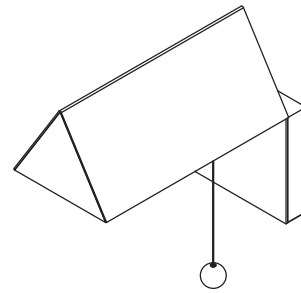
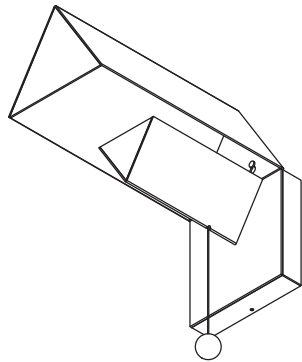
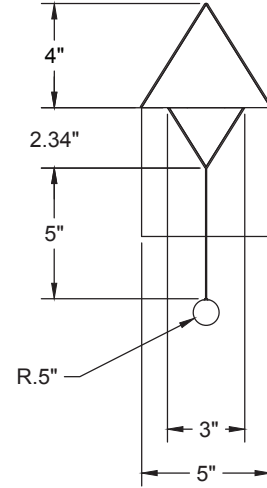
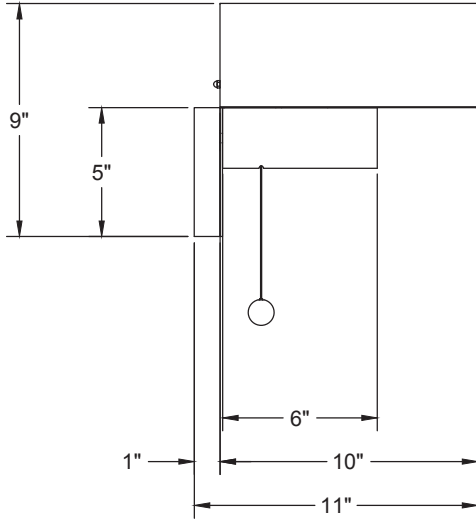
front

11"



side

WORKSTEAD



WORKSTEAD



GABLE PENDANT
hewn brass

WORKSTEAD

GABLE PENDANT

hardwired

Description

The GABLE PENDANT references modern and post-modern architectural forms to create a bold, graphic geometry. GABLE emits a delicate luminosity, highlighting its sculptural presence. Suitable for use as accent lighting over a variety of table, counter, or bar top settings.

Finish Options

Hewn Brass
Brushed Nickel
Industrial Black

Dimensions

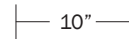
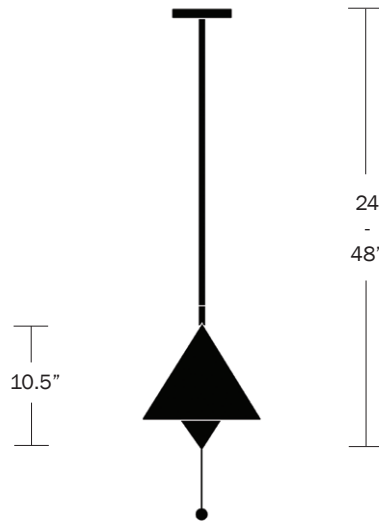
Small - 24"
Medium - 36"
Large - 48"
Width - 48"
Depth - 10"
Canopy Diameter - 5"
Pull Chain Length - 6"
Custom Heights Available Upon Request

Weight

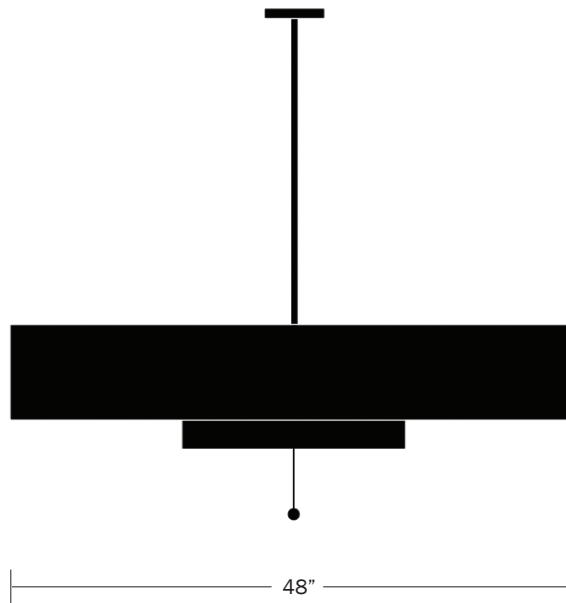
45 lbs

Lamp

60 Watt Incandescent Max
(2) 12W Non-Dimmable LED Bulbs Included
4" Light Rod
2200 Total Lumens
100 Watt Equivalent Each
2700K Color Temperature
30,000 Hours
110/120V, E12
220/240V, E14
UL/CE Listed
Damp Rated Upon Request

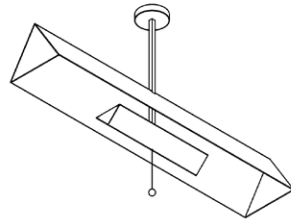
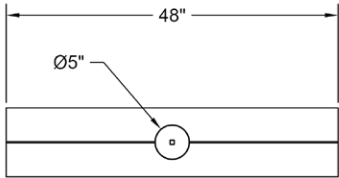
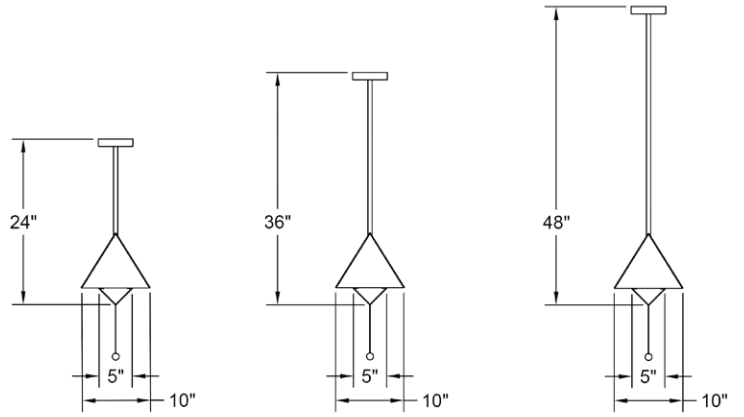
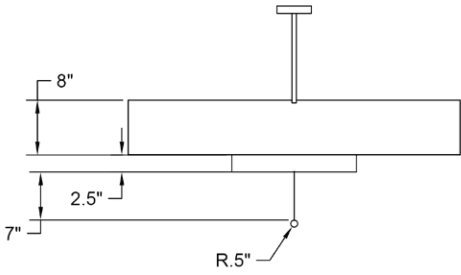


side



front

WORKSTEAD



WORKSTEAD



GABLE FLOOR LAMP
brushed nickel

WORKSTEAD

GABLE FLOOR LAMP

plug-in

Description

The GABLE FLOOR LAMP references modern and post-modern architectural forms to create a bold, graphic geometry. GABLE emits a delicate luminosity, highlighting its sculptural presence. Suitable for use as accent lighting in residential and hospitality settings.

Finish Options

Hewn Brass
Brushed Nickel
Industrial Black

Dimensions

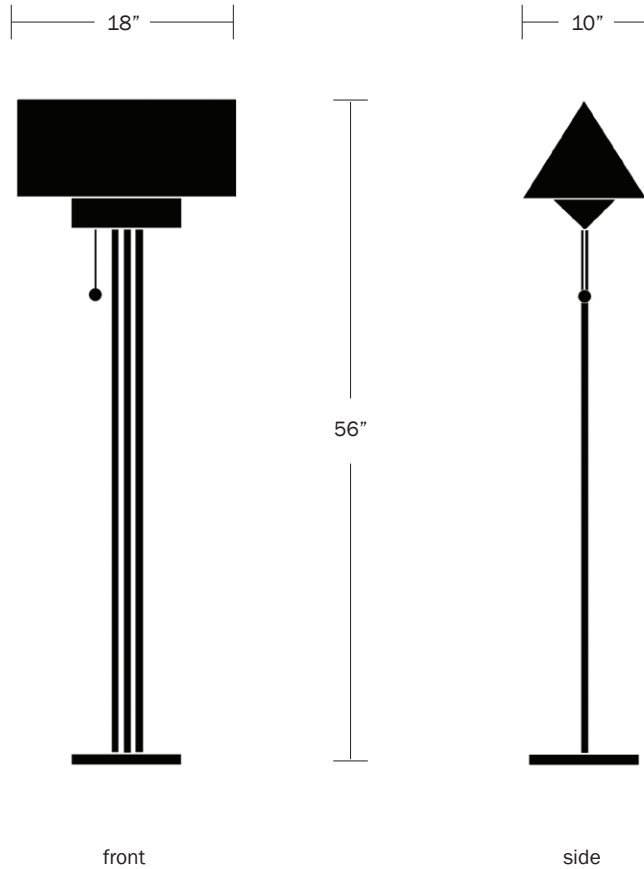
Overall Height - 56"
Width - 18"
Depth - 10"
Length of Pull - 6"

Weight

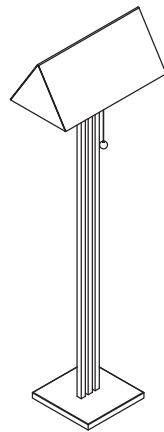
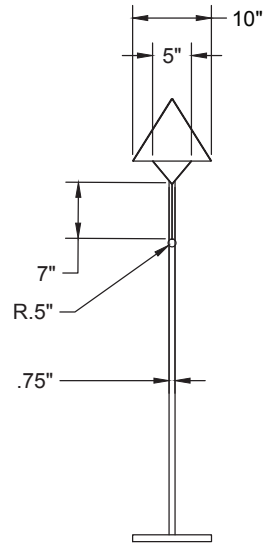
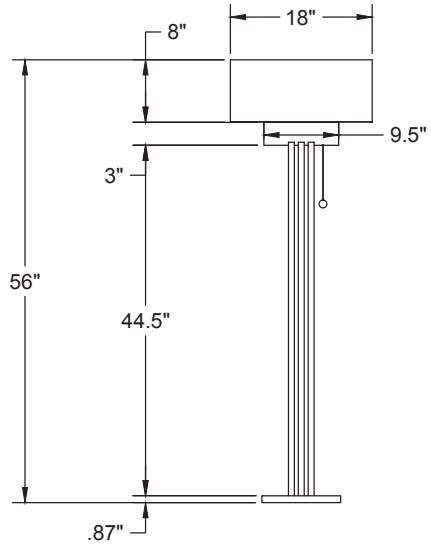
20 lbs

Lamp

60 Watt Incandescent Max Per Socket
(2) 5W Dimmable LED Bulbs Included
2" Diameter with Porcelain Finish
650 Total Lumens
40 Watt Equivalent Each
2700K Color Temperature
Bulb Life 30,000 Hours
110/120V, E12
220/240V, E14
UL/CE Listed
Damp Rated Upon Request



WORKSTEAD



WORKSTEAD



VAULT SCONCE
brushed nickel

WORKSTEAD

VAULT SCONCE

hardwired

Description

The VAULT SCONCE takes its cues from celebrated modernist forms, channeling the grandeur of the architectural vault. The fixture emits a delicate luminosity, highlighting its sculptural presence. Suitable for use as accent lighting across a broad range of residential and hospitality applications.

Finish Options

Hewn Brass
Brushed Nickel
Industrial Black

Dimensions

Overall Height - 6.5"
Depth - 11"
Width - 5"
Length of Pull - 6"

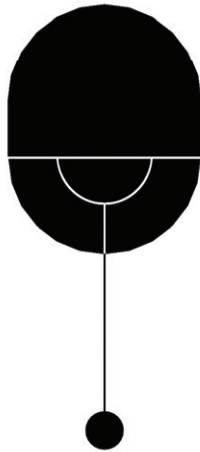
Weight

10 lbs

Lamp

60 Watt Incandescent Max
12W Non-Dimmable LED Bulb Included
4" Light Rod
1100 Lumens
100 Watt Equivalent
2700K Color Temperature
30,000 Hours
110/120V, E12
220/240V, E14
UL/CE Listed
Damp Rated Upon Request

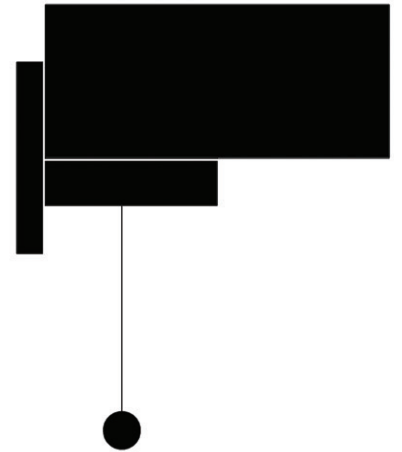
5"



front

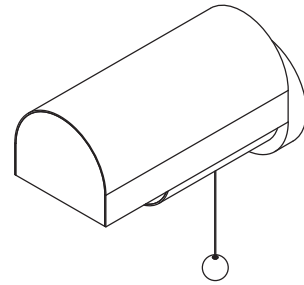
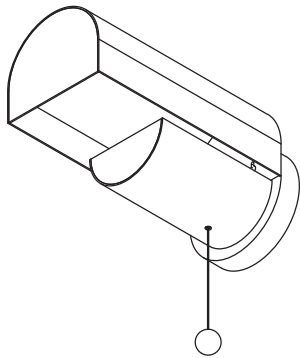
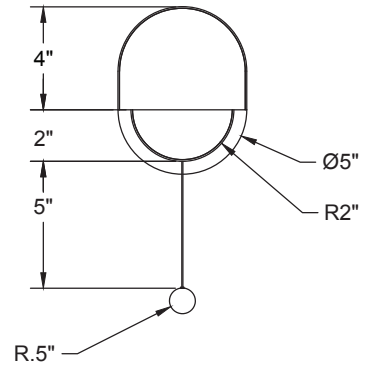
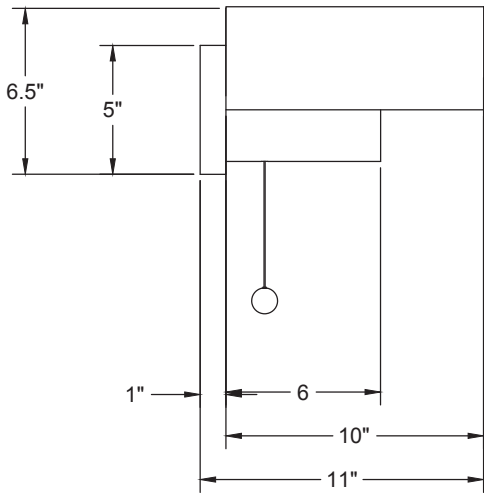
11"

6.5"



side

WORKSTEAD



WORKSTEAD



VAULT PENDANT
hewn brass

WORKSTEAD

VAULT PENDANT

hardwired

Description

The VAULT PENDANT takes its cues from celebrated modernist forms, channeling the grandeur of the architectural vault. The fixture emits a delicate luminosity, highlighting its sculptural presence. Suitable for use as accent lighting over a variety of table, counter, or bar top settings.

Finish Options

Hewn Brass
Brushed Nickel
Industrial Black

Dimensions

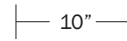
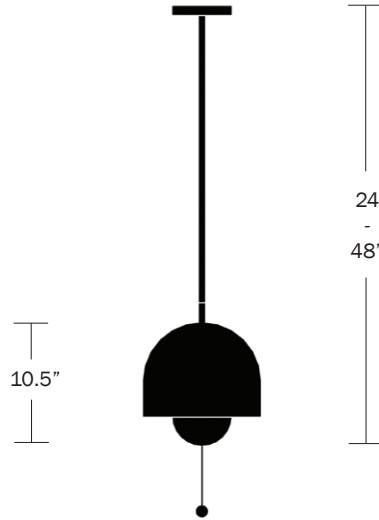
Small - 24"
Medium - 36"
Large - 48"
Width - 48"
Depth - 10"
Canopy Diameter - 5"
Length of Pull - 6"
Custom Heights Available Upon Request

Weight

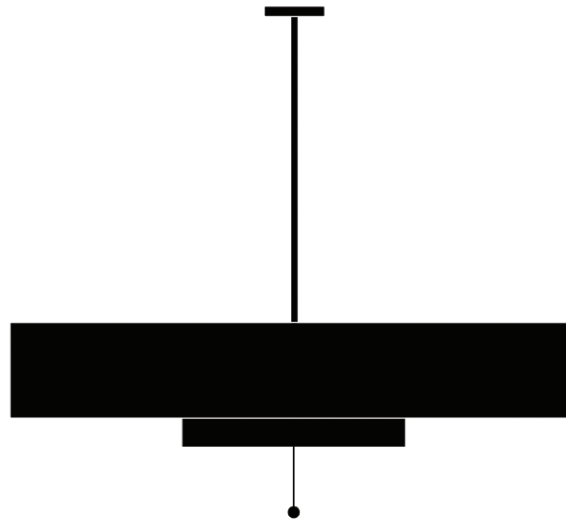
45 lbs

Lamp

60 Watt Incandescent Max
(2) 12W Non-Dimmable LED Bulbs Included
4" Light Rod
2200 Total Lumens
100 Watt Equivalent Each
2700K Color Temperature
30,000 Hours
110/120V, E12
220/240V, E14
UL/CE Listed
Damp Rated Upon Request

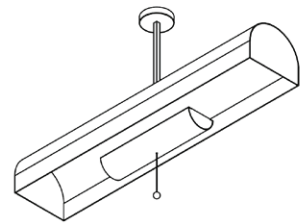
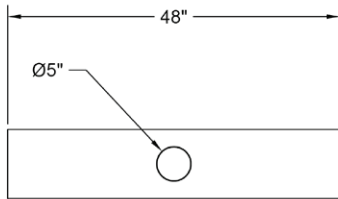
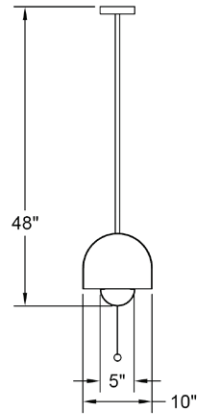
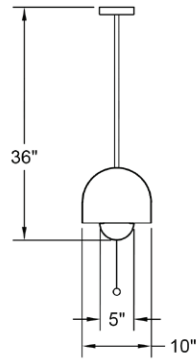
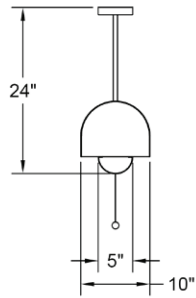
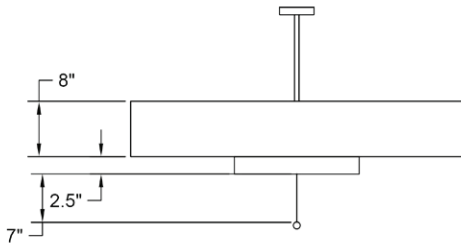


side



front

WORKSTEAD



WORKSTEAD



VAULT FLOOR LAMP
brushed nickel

WORKSTEAD

VAULT FLOOR LAMP

plug-in

Description

The VAULT FLOOR LAMP takes its cues from celebrated modernist forms, channeling the grandeur of the architectural vault. The fixture emits a delicate luminosity, highlighting its sculptural presence. Suitable for use as accent lighting for residential and hospitality settings.

Finish Options

Hewn Brass
Brushed Nickel
Industrial Black

Dimensions

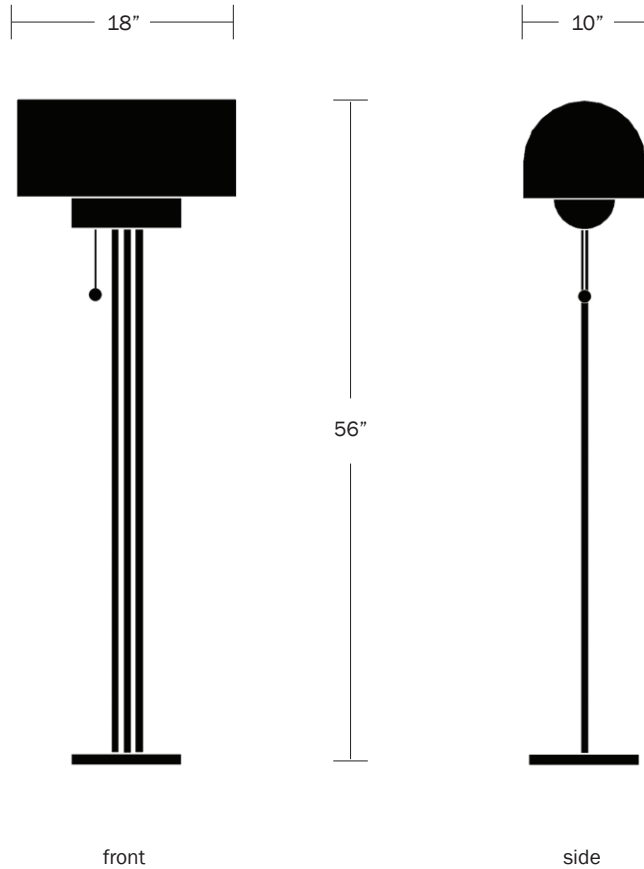
Overall Height - 56"
Width - 18"
Depth - 10"
Length of Pull - 6"

Weight

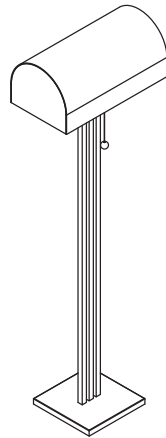
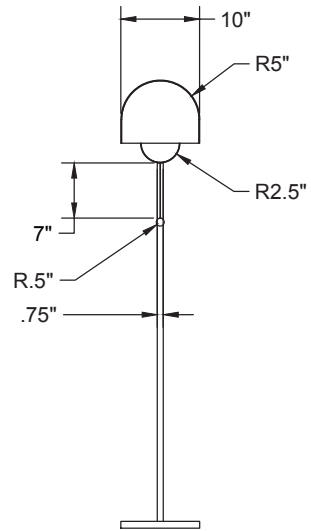
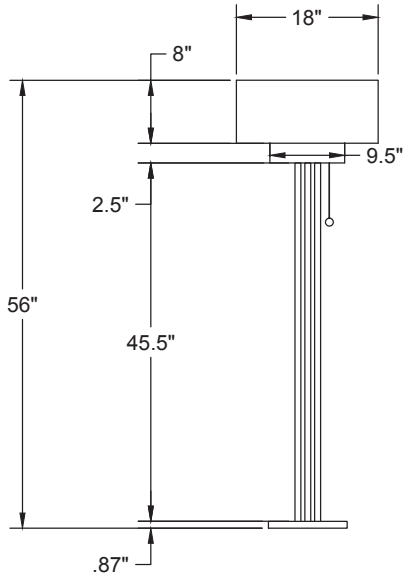
20 lbs

Lamp

60 Watt Incandescent Max Per Socket
(2) 5W Dimmable LED Bulbs Included
2" Diameter with Porcelain Finish
650 Total Lumens
40 Watt Equivalent Each
2700K Color Temperature
Bulb Life 30,000 Hours
110/120V, E12
220/240V, E14
UL/CE Listed
Damp Rated Upon Request



WORKSTEAD





WORKSTEAD

chamber collection

WORKSTEAD



CHAMBER SCONCE
Hewn Brass

WORKSTEAD



CHAMBER SCONCE
Nickel

WORKSTEAD



CHAMBER SCONCE
Hand Finished Bronze

WORKSTEAD



CHAMBER SCONCE
Hewn Brass

WORKSTEAD



CHAMBER SCONCE
Hewn Brass

WORKSTEAD

CHAMBER SCONCE

hard-wired or plug-in

Description

The Chamber Sconce incorporates an adjustable metal shade that conceals or reveals light, by degree. Composed of square brass tubing supporting a formed sculptural shroud, the fixture is suitable for a myriad of applications given its adjustable nature.

Finish Options

Hewn Brass
Nickel
Hand Finished Bronze
Nude or Black Cloth Cord

Dimensions

Height - 14"
Depth - 5-1/2"
Diameter of Shroud - 3"
Bulb - 2"

Weight

10 lbs

Lamp

60-Watt Max
5W Dimmable LED Bulb Included
325 Lumens
40-Watt Equivalent
2700K Color Temperature
Bulb Life 30,000 Hours
110/120V, E12
220/240V, E14
UL /CE Listed

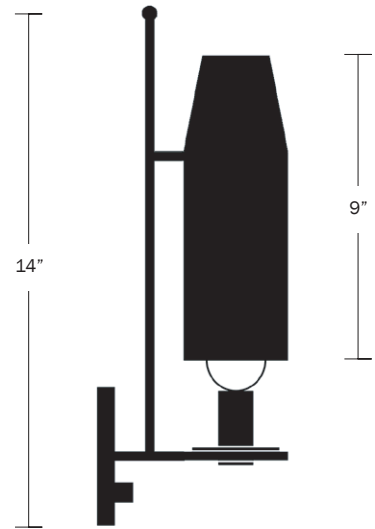
3"



5-1/4"

front

5-1/2"



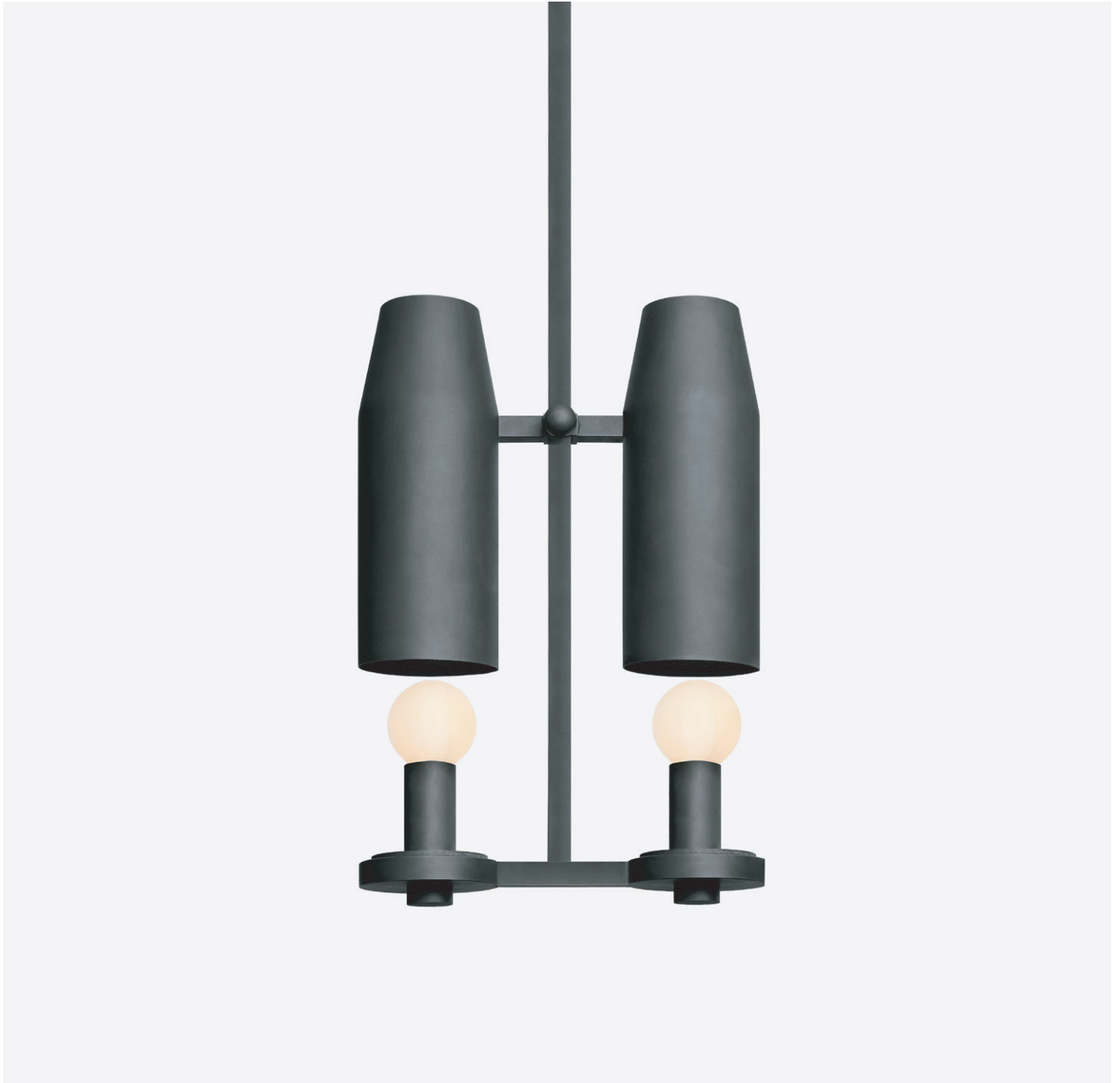
side

WORKSTEAD



CHAMBER PENDANT TWO
Hand Finished Bronze

WORKSTEAD



CHAMBER PENDANT TWO
Hand Finished Bronze

WORKSTEAD

CHAMBER PENDANT TWO

hard-wired

Description

Chamber Pendant Two embodies our analog approach to lighting. Architectural in spirit, the fixture incorporates a pair of adjustable shrouds that conceal or reveal light, by degree.

Finish Options

Hewn Brass
Nickel
Hand Finished Bronze

Dimensions

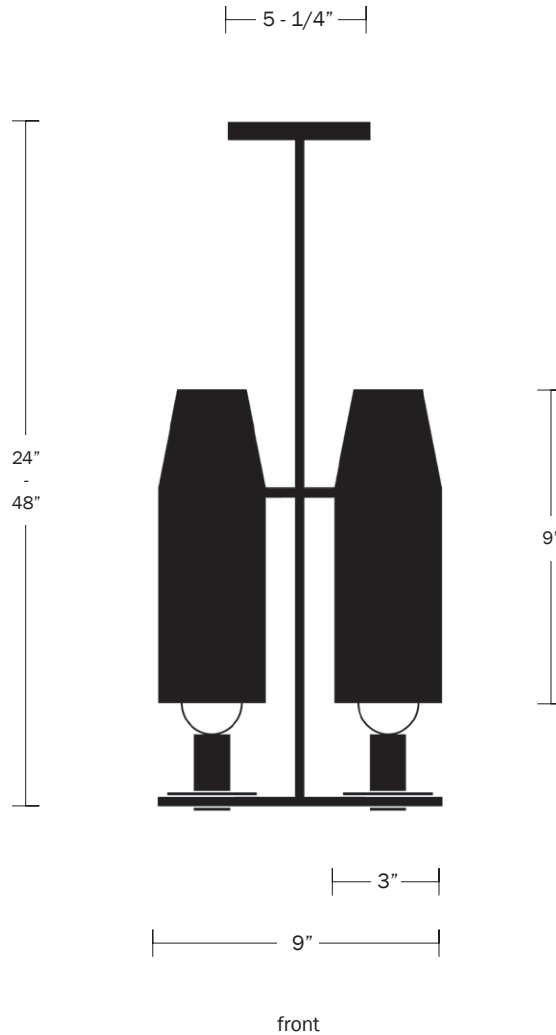
Width - 9"
Depth - 3"
Small - 24"
Medium - 36"
Large - 48"

Weight

15 lbs

Lamp

60-Watt Max
5W Dimmable LED Bulbs Included
650 Lumens
40-Watt Equivalent
2700K Color Temperature
Bulb Life 30,000 Hours
110/120V, E12
220/240V, E14
UL /CE Listed



WORKSTEAD



CHAMBER PENDANT FOUR
Hewn Brass

WORKSTEAD



CHAMBER PENDANT FOUR
Hewn Brass

WORKSTEAD



CHAMBER PENDANT FOUR
Hewn Brass

WORKSTEAD



CHAMBER PENDANT FOUR
Hewn Brass

WORKSTEAD

CHAMBER PENDANT FOUR

hard-wired

Description

Chamber Pendant Four exhibits a scale that is both intimate and grand. Architectural in spirit, the fixture incorporates a series of adjustable shrouds that conceal or reveal light, by degree.

Finish Options

- Hewn Brass
- Nickel
- Hand Finished Bronze

Dimensions

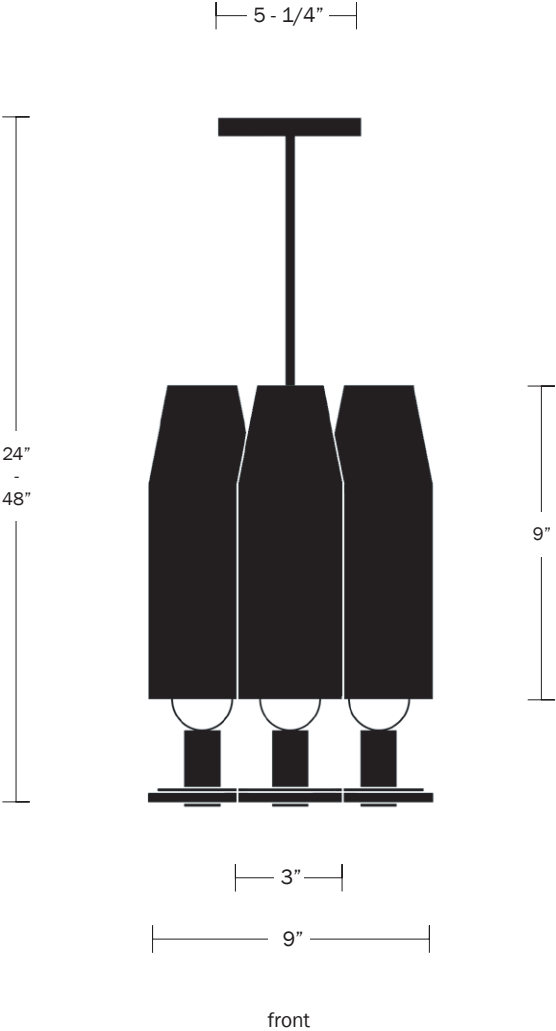
- Width - 9"
- Depth - 9"
- Small - 24"
- Medium - 36"
- Large - 48"

Weight

15 lbs

Lamp

- 60-Watt Max
- 5W Dimmable LED Bulbs Included
- 1300 Lumens
- 40-Watt Equivalent
- 2700K Color Temperature
- Bulb Life 30,000 Hours
- 110/120V, E12
- 220/240V, E14
- UL /CE Listed



WORKSTEAD



CHAMBER CHANDELIER
Hand Finished Bronze

WORKSTEAD



CHAMBER CHANDELIER
Hand Finished Bronze

WORKSTEAD



CHAMBER CHANDELIER
Hand Finished Bronze

WORKSTEAD

CHAMBER CHANDELIER

hard-wired

Description

The Chamber Chandelier exhibits a scale that is both intimate and grand. Exploring the concepts of enclosure and seriality, the fixture embodies our analog approach to lighting. Architectural in spirit, the fixture incorporates a series of adjustable shrouds that conceal or reveal light, by degree.

Finish Options

Hewn Brass
Nickel
Hand Finished Bronze

Dimensions

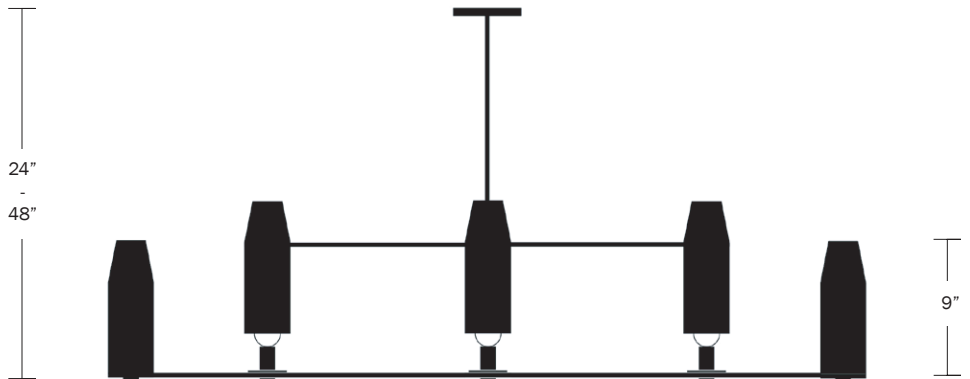
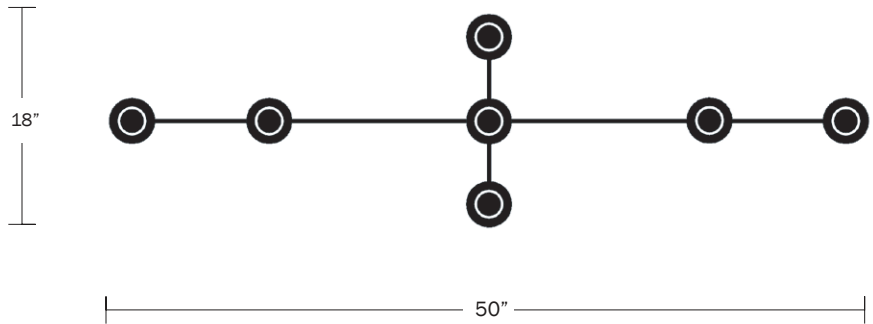
Width - 50"
Depth - 18"
Small - 24"
Medium - 36"
Large - 48"

Weight

25 lbs

Lamp

60-Watt Max
5W Dimmable LED Bulbs Included
1950 Lumens
40-Watt Equivalent
2700K Color Temperature
Bulb Life 30,000 Hours
110/120V, E12
220/240V, E14
UL /CE Listed



WORKSTEAD



CHAMBER TABLE LAMP
Hand Finished Bronze

WORKSTEAD



CHAMBER TABLE LAMP
Hand Finished Bronze

WORKSTEAD



CHAMBER TABLE LAMP
Nickel

WORKSTEAD

CHAMBER TABLE LAMP plug-in

Description

The Chamber Table Lamp is a modern take on the hand-held chamber candle. Incorporating an adjustable metal shade that conceals or reveals light, by degree, its square brass base and tubing supports a formed sculptural shroud.

Finish Options

- Hewn Brass
- Nickel
- Hand Finished Bronze
- Nude or Black Cloth Cord

Dimensions

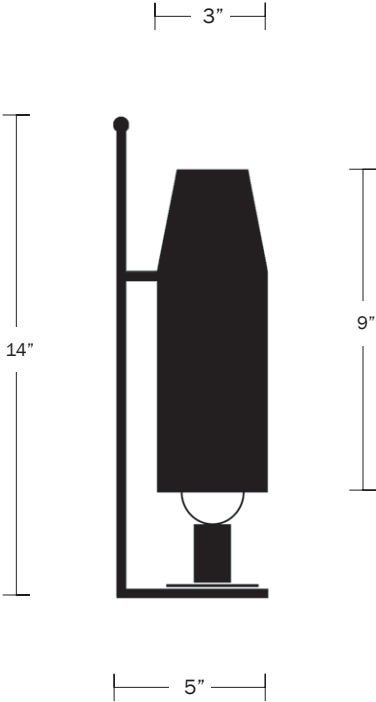
- Height - 14"
- Depth - 5"
- Diameter of Shroud - 3"
- Bulb - 2"

Weight

5 lbs

Lamp

- 60-Watt Max
- 5W Dimmable LED Bulb Included
- 325 Lumens
- 40-Watt Equivalent
- 2700K Color Temperature
- Bulb Life 30,000 Hours
- 110/120V, E12
- 220/240V, E14
- UL /CE Listed



side

WORKSTEAD



HOUSE SCONCE
hewn brass

WORKSTEAD



HOUSE SCNCE
hewn brass

WORKSTEAD



WORKSTEAD

HOUSE SCONCE

hardwired or plug-in

Description

The House Sconce is our take on the classic shaded sconce typology made modern thanks to an unexpectedly playful spirit. The adjustable fixture can be pivoted as a whole, to create a graphic beam of light against the wall. Made in the USA. UL Listed. Damp Rated upon request.

Finish Options

Hewn Brass
Natural Linen
Nude Cloth Cord

Dimensions

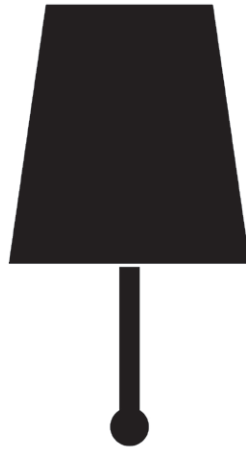
Shade Height - 7"
Shade Top Diameter - 4.5"
Shade Bottom Diameter - 6.5"
Backplate Diameter - 5"
Overall Fixture Height - 12"
Overall Fixture Depth - 9"
Cord Option - 10'

Weight

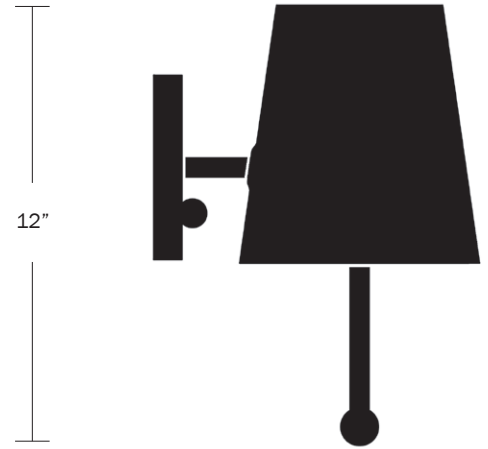
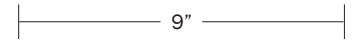
5 lbs

Lamp

60 Watt Incandescent Max
5W Dimmable LED Bulb Included
2" Diameter With Porcelain Finish
40 Watt Equivalent
325 Lumens
2700K Color Temperature
Bulb Life 30,000 Hours
110/120V, E12
220/240V, E14
UL/CE Listed
Damp Rated Upon Request

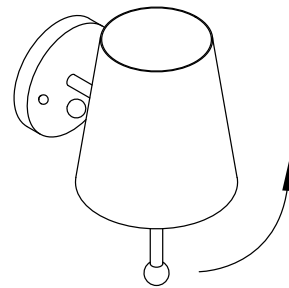
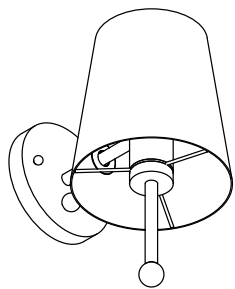
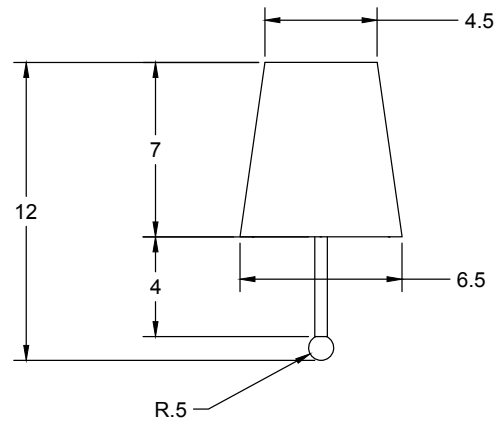
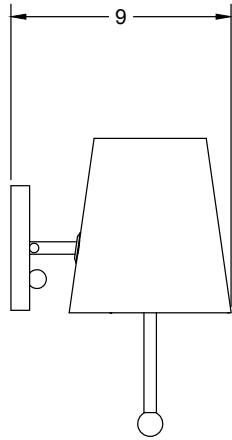


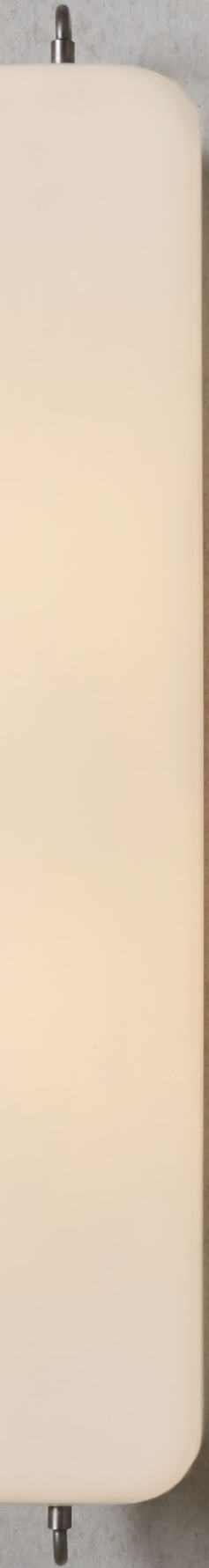
front



side

WORKSTEAD





WORKSTEAD

2019 Specifications



WORKSTEAD

park collection

WORKSTEAD



PARK I
bone enamel

WORKSTEAD



PARK I
black enamel

WORKSTEAD

PARK I

hardwired

Description

Park I can be utilized as a wall sconce or flush-mount fixture. Referencing porcelain fixtures produced during the pre-war period, the fixture incorporates delicate metal pins to suspend a hand-blown glass form.

Materials

Bone White or Black Enamel
Nickel, Hewn Brass, or Bronze Rods
Opal Glass

Dimensions

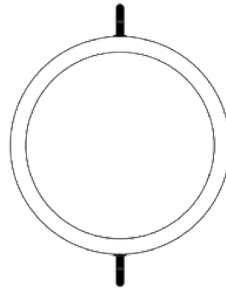
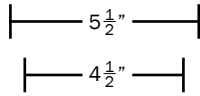
Height - 7"
Width - 4 - 1/2"
Depth - 6"
Glass Size - 5 - 1/2" Dia.

Weight

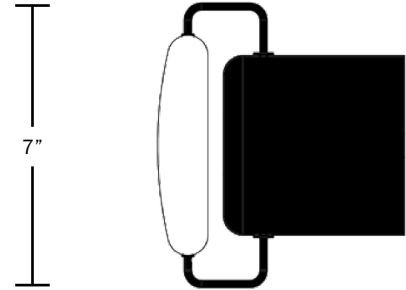
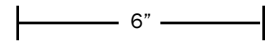
4 lbs

Lamp

60 Watt Max
4.5W Screw Base
Dimmable LED Bulb Included
300 Lumens
40 Watt Equivalent
2700K Color Temperature
Bulb Life 35,000 Hours
110/120V, E26
220/240V, E27
UL / CE Approved



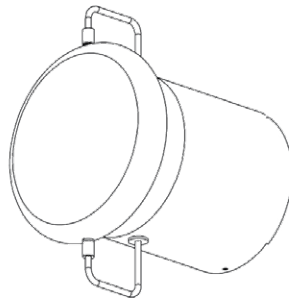
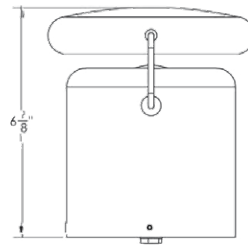
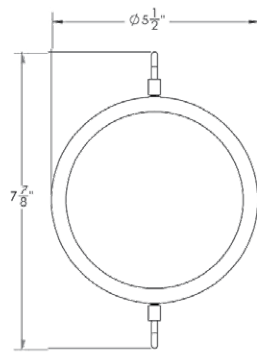
front



side



WORKSTEAD



WORKSTEAD



PARK II
bone enamel

WORKSTEAD



PARK II
black enamel

WORKSTEAD

PARK II

hardwired

Description

Park II incorporates a dome-shaped glass shade, set against a slender enamel form. Referencing porcelain fixtures produced during the pre-war period, Park II is an iconic sconce for modern day use.

Materials

Bone White or Black Enamel
Nickel, Hewn Brass, or Bronze Rods
Opal Glass

Dimensions

Height - 18"
Width - 2 - 1/2"
Depth - 2 - 1/2"
Glass Size - 6" Dia.
Dimmer Switch - 3/4" Dia.

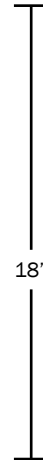
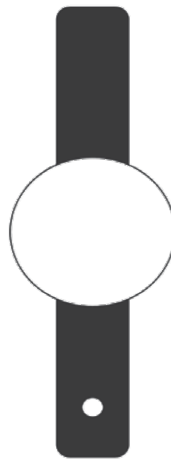
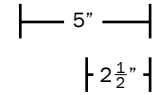
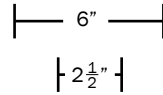
Weight

3 lbs

Lamp

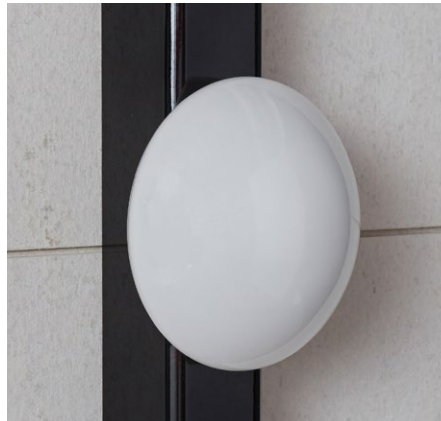
60 Watt Max
4.5W Dimmable LED Bulb Included
300 Lumens
40 Watt Equivalent
2700K Color Temperature
Bulb Life 35,000 Hours
110/120V, E26
220/240V, E27
UL / CE Approved

*Requires Single Gang Junction Box
*Custom Backplate Extensions
available at time of order

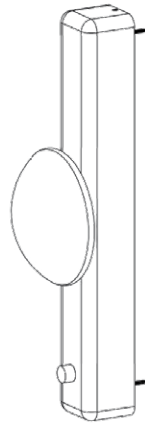
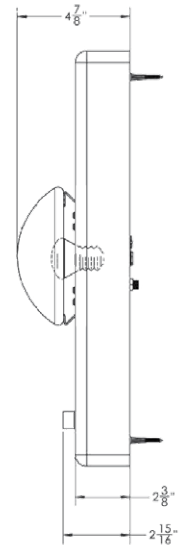
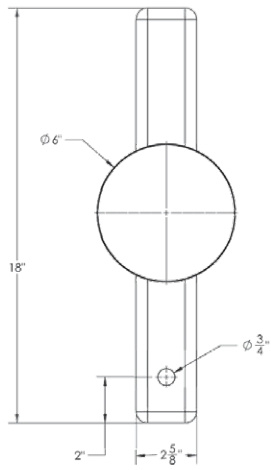


front

side



WORKSTEAD



WORKSTEAD



PARK III
bone enamel

WORKSTEAD



PARK III
black enamel

WORKSTEAD

PARK III

hardwired

Description

Park III utilizes an elongated pillow-shaped glass form, set against a slender enameled form. The fixture acts as both a light box and wall-washer, spreading light both out and reflecting light against the wall.

Materials

Bone White or Black Enamel
Nickel, Hewn Brass, or Bronze Rods
Opal Glass

Dimensions

Height - 18"
Width - 3 - 1/2"
Depth - 4"
Glass Size - 3 - 1/2" X 21"

Weight

5 lbs

Lamp

10 Watt Integrated LED Panel
Dimmable 12V Driver
680 Lumens
40 Watt Equivalent
Panel Life 10 - 15 Years
110/120V
220/240V
UL / CE Approved

*Requires Single Gang Junction Box

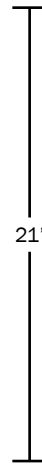
*Custom Backplate Extensions
available at time of order

*Compatible Dimmer List
available upon request

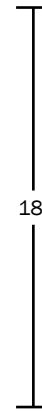
3 1/2"



front



21"



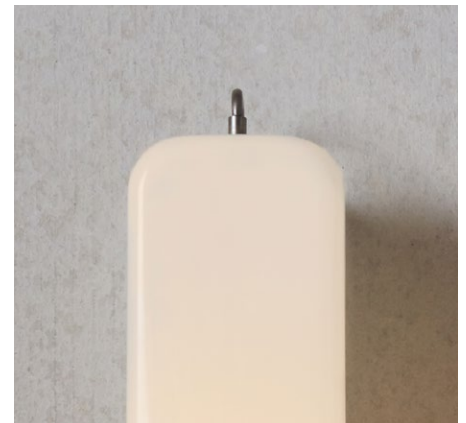
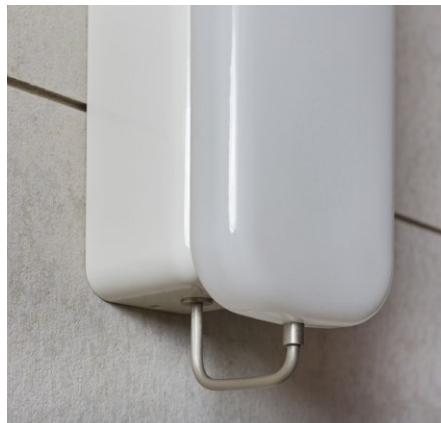
18"

4"

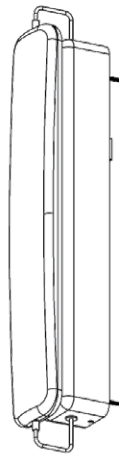
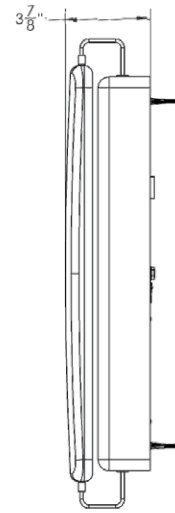
2 1/2"



side



WORKSTEAD





WORKSTEAD

lodge

WORKSTEAD



LODGE SCONCE
oxidized oak

WORKSTEAD



LODGE SCONCE
natural oak

WORKSTEAD



LODGE SCONCE
bone white

WORKSTEAD



LODGE SCONCE
yellow

WORKSTEAD



LODGE SCONCE
gray

WORKSTEAD

LODGE SCONCE

hardwired

Description

The Lodge Sconce is composed of a singular wooden column mounted on a metal backplate. The fixture swivels from side to side, directing light from a softly glowing bulb.

Materials

Natural Oak
Oxidized Oak
Bone White
Yellow
Gray
Hewn Brass
Blackened Steel

Dimensions

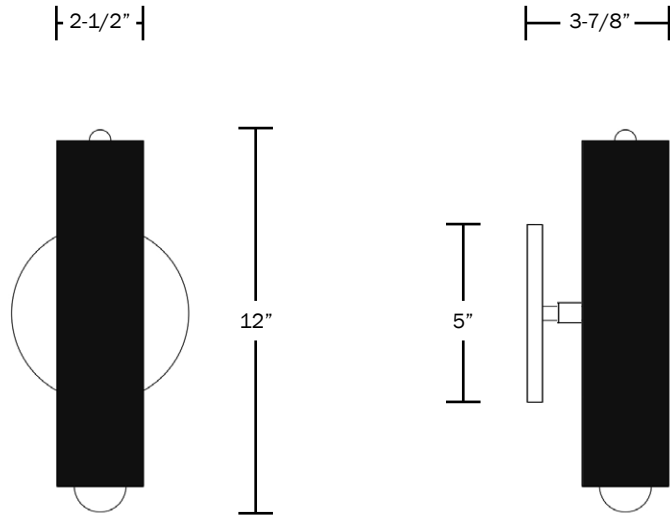
Cylinder Height - 10"
Cylinder Diameter - 2-12"
Backplate Diameter - 5"

Weight

6 lbs

Lamp

25 Watt Max
5W Dimmable LED Bulb Included
325 Lumens
30 Watt Equivalent
2700K Color Temperature
Bulb Life 30,000 Hours
110/120V, E12
220/240V, E14
UL / CE Approved

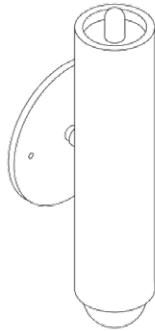
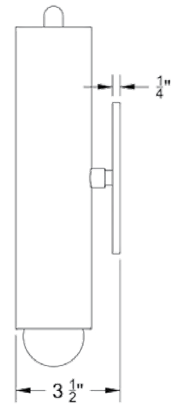
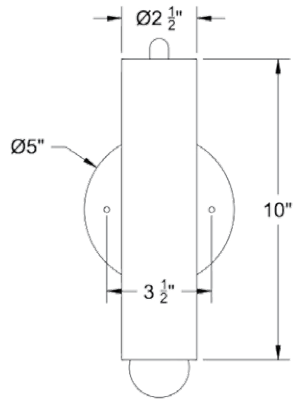


front

side



WORKSTEAD



WORKSTEAD



LODGE FLUSH MOUNT
oxidized oak

WORKSTEAD



LODGE FLUSH MOUNT
natural oak

WORKSTEAD



LODGE FLUSH MOUNT
bone white

WORKSTEAD



LODGE FLUSH MOUNT
yellow

WORKSTEAD



LODGE FLUSH MOUNT
gray

WORKSTEAD

LODGE FLUSH MOUNT

hardwired

Description

The Lodge Flush Mount is composed of a singular wooden column suspended from a metal back plate. The fixture swivels from side to side, directing light from a softly glowing bulb.

Materials

Natural Oak
Oxidized Oak
Bone White
Yellow
Gray
Hewn Brass
Blackened Steel

Dimensions

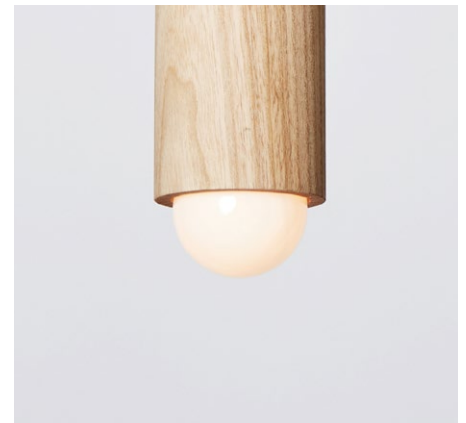
Cylinder Height - 10"
Cylinder Diameter - 2-1/2"
Backplate Diameter - 5"
Overall Height - 12"

Weight

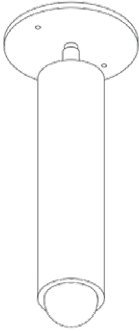
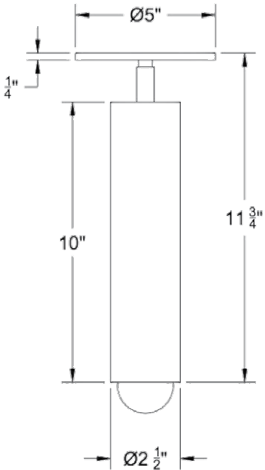
6 lbs

Lamp

25 Watt Max
5W Dimmable LED Bulb Included
325 Lumens
30 Watt Equivalent
2700K Color Temperature
Bulb Life 30,000 Hours
110/120V, E12
220/240V, E14
UL / CE Approved



WORKSTEAD



WORKSTEAD



LODGE PENDANT
oxidized oak

WORKSTEAD



LODGE PENDANT
natural oak

WORKSTEAD



LODGE PENDANT
bone white

WORKSTEAD



LODGE PENDANT
yellow

WORKSTEAD



LODGE PENDANT
gray

WORKSTEAD

LODGE PENDANT

hardwired

Description

The Lodge Pendant is a singular wooden column, composed of three wooden forms. Held together by a network of metal tubing, with a milled metal ball connection, the bulbs radiate about the column.

Materials

Natural Oak
Oxidized Oak
Bone White
Yellow
Gray
Hewn Brass
Blackened Steel

Dimensions

Small - 24"
Medium - 36"
Large - 48"
Custom Heights Available

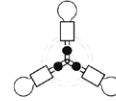
Weight

15 lbs

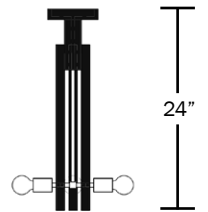
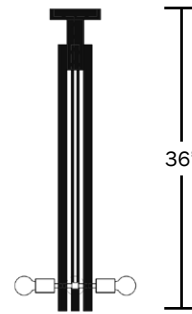
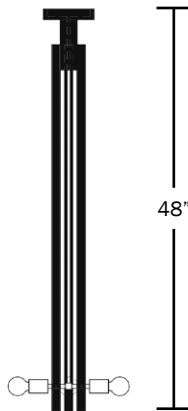
Lamp

25 Watt Max
5W Dimmable LED Bulb Included
325 Lumens
30 Watt Equivalent
2700K Color Temperature
Bulb Life 30,000 Hours
110/120V, E12
220/240V, E14
UL / CE Approved

12"



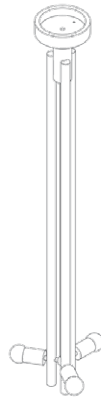
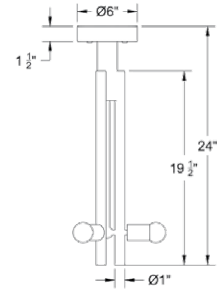
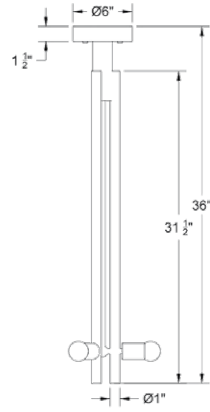
top



front



WORKSTEAD



WORKSTEAD



LODGE CHANDELIER TWO
oxidized oak

WORKSTEAD



LODGE CHANDELIER TWO
natural oak

WORKSTEAD



LODGE CHANDELIER TWO
bone white

WORKSTEAD



LODGE CHANDELIER TWO
yellow

WORKSTEAD



LODGE CHANDELIER TWO
gray

WORKSTEAD

LODGE CHANDELIER TWO

hardwired

Description

The Lodge Chandelier Two continues the play of wooden framework and metal structure on the scale of a directional chandelier. A rigid wooden structure supports two delicate tubes that illuminate two light sources at each end of the fixture.

Materials

Natural Oak
Oxidized Oak
Bone White
Yellow
Gray
Hewn Brass
Blackened Steel

Dimensions

Standard Drop - 30"
Standard Width - 46"
Custom Dimensions Available

Weight

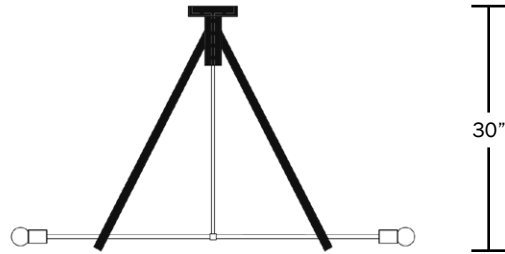
15 lbs

Lamp

25 Watt Max
5W Dimmable LED Bulb Included
325 Lumens
30 Watt Equivalent
2700K Color Temperature
Bulb Life 30,000 Hours
110/120V, E12
220/240V, E14
UL / CE Approved



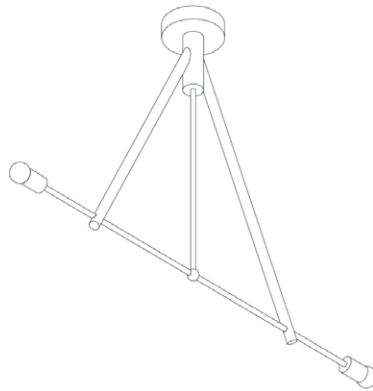
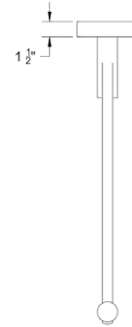
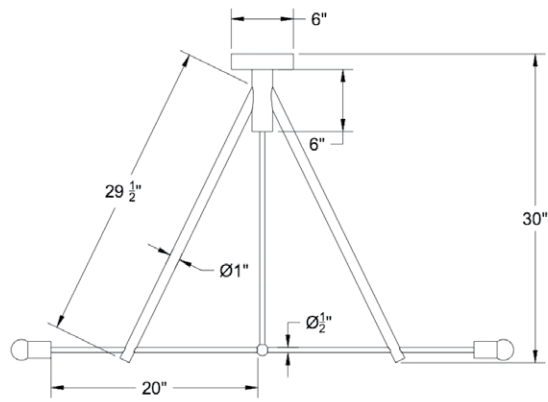
top



front



WORKSTEAD



WORKSTEAD



LODGE CHANDELIER THREE
oxidized oak

WORKSTEAD



LODGE CHANDELIER THREE
natural oak

WORKSTEAD



LODGE CHANDELIER THREE
bone white

WORKSTEAD



LODGE CHANDELIER THREE
yellow

WORKSTEAD



LODGE CHANDELIER THREE
gray

WORKSTEAD

LODGE CHANDELIER THREE

hardwired

Description

The Lodge Chandelier Two utilizes a series of structural wooden frames to support a delicate structure for light.

The play between wood and metal emphasizes the counterpoint between structure and network.

Materials

Natural Oak
Oxidized Oak
Bone White
Yellow
Gray
Hewn Brass
Blackened Steel

Dimensions

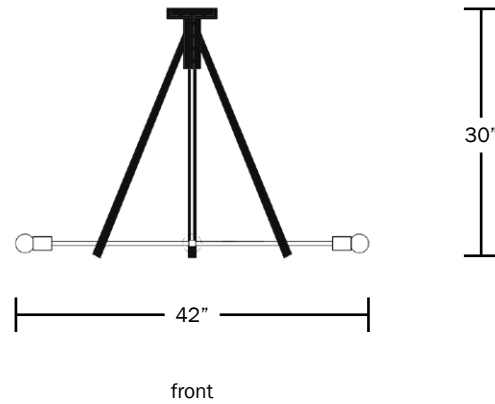
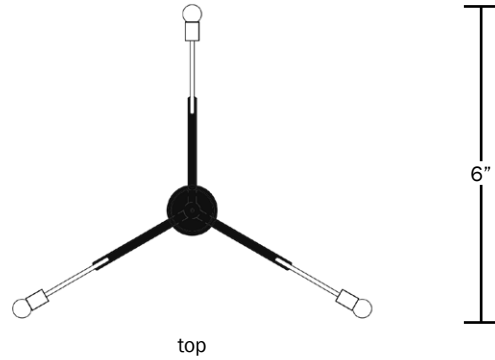
Standard Drop - 30"
Standard Width - 42"
Custom Dimensions Available

Weight

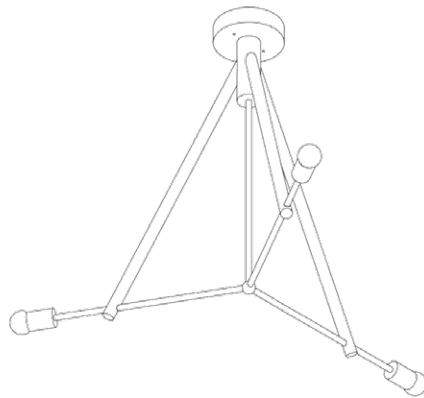
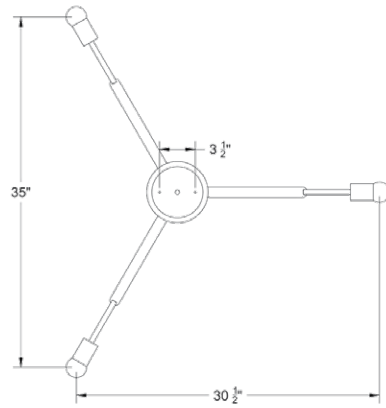
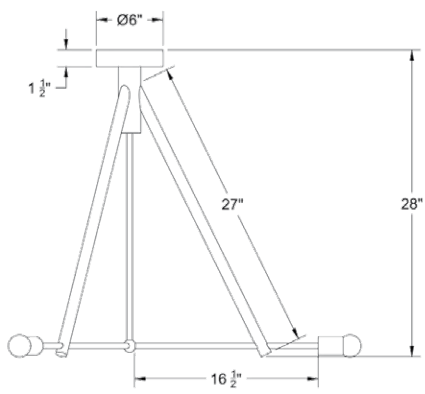
15 lbs

Lamp

25 Watt Max
5W Dimmable LED Bulb Included
325 Lumens
30 Watt Equivalent
2700K Color Temperature
Bulb Life 30,000 Hours
110/120V, E12
220/240V, E14
UL / CE Approved



WORKSTEAD



WORKSTEAD



LODGE CHANDELIER FIVE
oxidized oak

WORKSTEAD



LODGE CHANDELIER FIVE
natural oak

WORKSTEAD



LODGE CHANDELIER FIVE
bone white

WORKSTEAD



LODGE CHANDELIER FIVE
yellow

WORKSTEAD



LODGE CHANDELIER FIVE
gray

WORKSTEAD

LODGE CHANDELIER FIVE

hardwired

Description

The Lodge Chandelier Five is a network of wooden frames that support a delicate structure of light. The play between wood and metal emphasizes the counterpoint between structure and network.

Materials

Natural Oak
Oxidized Oak
Bone White
Yellow
Gray
Hewn Brass
Blackened Steel

Dimensions

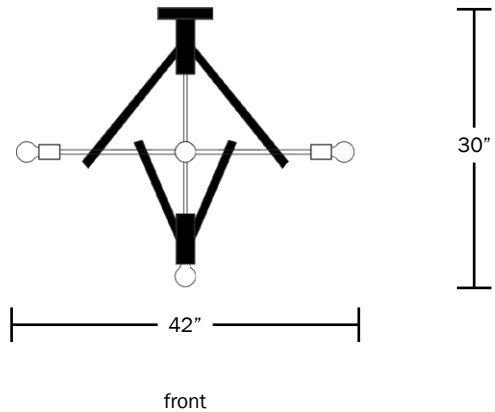
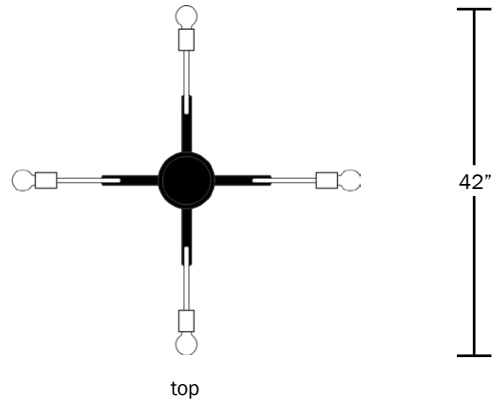
Standard Drop - 30"
Standard Width - 42"
Custom Dimensions Available

Weight

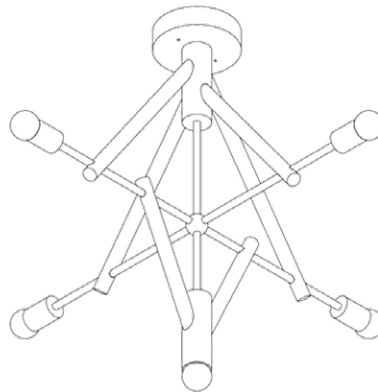
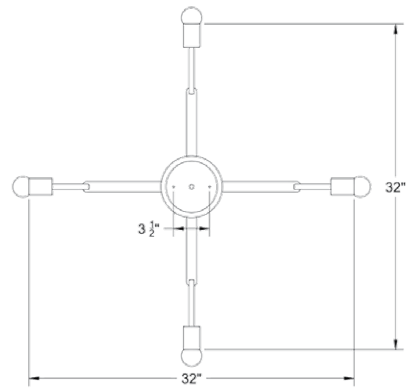
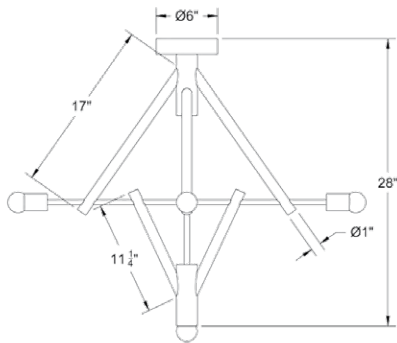
15 lbs

Lamp

25 Watt Max
5W Dimmable LED Bulb Included
325 Lumens
30 Watt Equivalent
2700K Color Temperature
Bulb Life 30,000 Hours
110/120V, E12
220/240V, E14
UL / CE Approved



WORKSTEAD





WORKSTEAD

signal

WORKSTEAD



SINGAL SCONCE
hewn brass

WORKSTEAD



SINGAL SCONCE
bronze

WORKSTEAD



SINGAL SCONCE
nickel

WORKSTEAD

SIGNAL SCONCE

hardwired

Description

The Signal Sconce features a hand blown globe. The fixture is delicately mounted between two metal pins above a luminous canopy, creating a hieroglyphic composition. A pull chain holds a slender rod, giving the piece a jewel-like presence.

Materials

Hand blown glass globe with a sandblasted finish. Hewn Brass, Bronze or Nickel with Matching Pull Chain

Dimensions

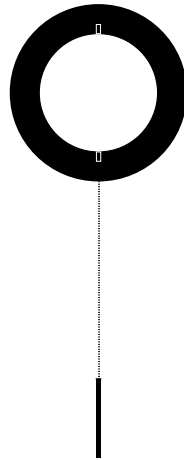
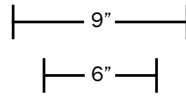
Globe - 6"
Canopy - 9"
Pull Chain - 14"
Total Height - 23"

Weight

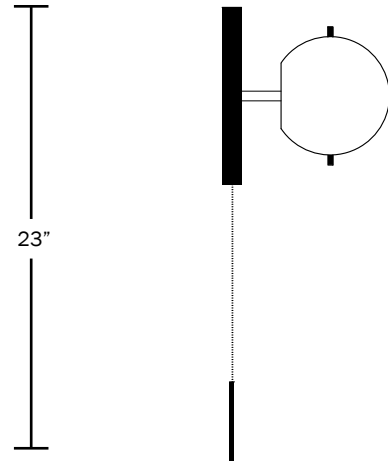
6 lbs

Lamp

40 Watt Max
5W Dimmable Bulb Included
280 Lumens
2700K Color Temperature
Bulb Life 30,000 Hours
110/120V, E12
220/240V, E14
UL / CE Approved



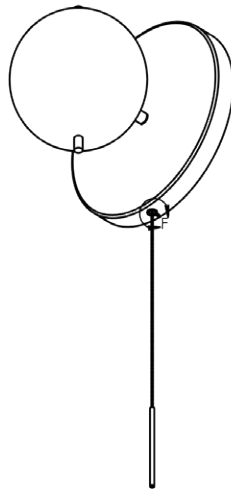
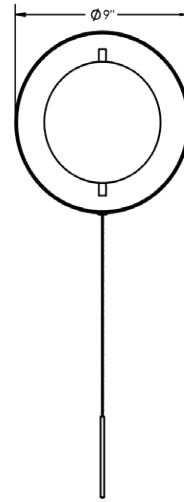
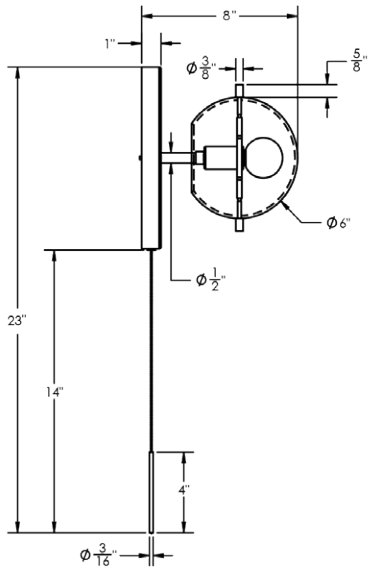
front



side



WORKSTEAD



WORKSTEAD



SIGNAL FLUSH MOUNT
hewn brass

WORKSTEAD



SIGNAL FLUSH MOUNT
bronze

WORKSTEAD



SIGNAL FLUSH MOUNT
nickel

WORKSTEAD

SIGNAL FLUSH MOUNT

hardwired

Description

The Flush Mount is a compact beacon composed of metal, glass, and a chain.

A hand blown glass globe is delicately mounted between two metal pins above a luminous canopy, creating a hieroglyphic composition. The pull chain holds a slender rod, giving the piece a jewel-like presence.

Materials

Hand blown glass globe with a sandblasted finish. Hewn Brass, Bronze or Nickel with Matching Pull Chain

Dimensions

Globe - 6"

Canopy - 9"

Height to the Bottom of Globe - 8"

Height including Chain - 18"

Weight

6 lbs

Lamp

40 Watt Max

5W Dimmable Bulb Included

280 Lumens

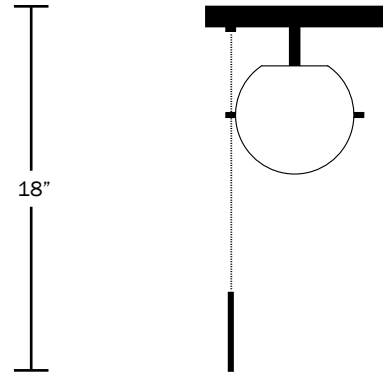
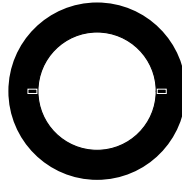
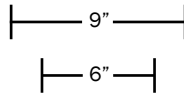
2700K Color Temperature

Bulb Life 30,000 Hours

110/120V, E12

220/240V, E14

UL / CE Approved

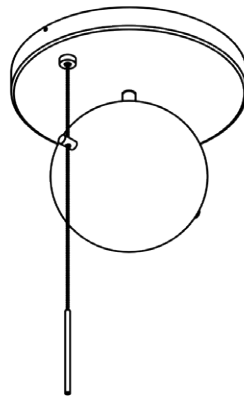
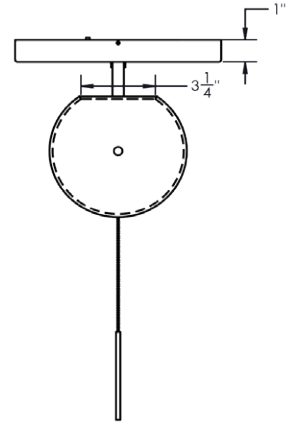
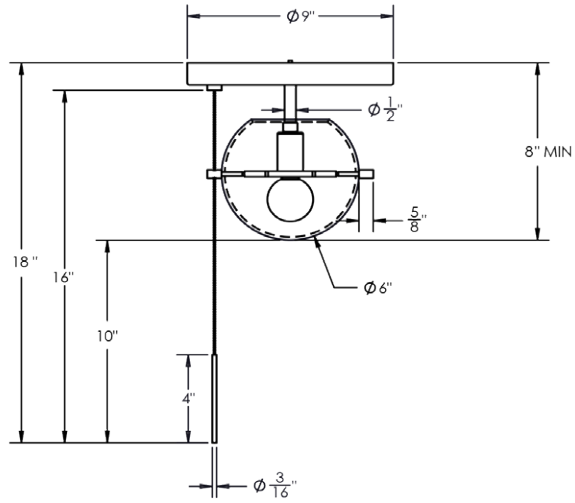


front

side



WORKSTEAD



WORKSTEAD



SIGNAL PENDANT
hewn brass

WORKSTEAD



SIGNAL PENDANT
bronze

WORKSTEAD



SIGNAL PENDANT
nickel

WORKSTEAD

SIGNAL PENDANT

hardwired

Description

The Signal Pendant is a delicate yet grounded fixture. A hand blown glass globe is delicately mounted between two metal pins above a luminous canopy, creating a hieroglyphic composition. A pull chain holds a slender rod, giving the piece a jewel-like presence.

Materials

Hand blown glass globe with a sandblasted finish. Hewn Brass, Bronze or Nickel with Matching Pull Chain

Dimensions

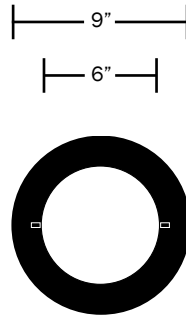
Globe - 6"
Canopy - 9"
Small - 24"
Medium - 36"
Large - 48"

Weight

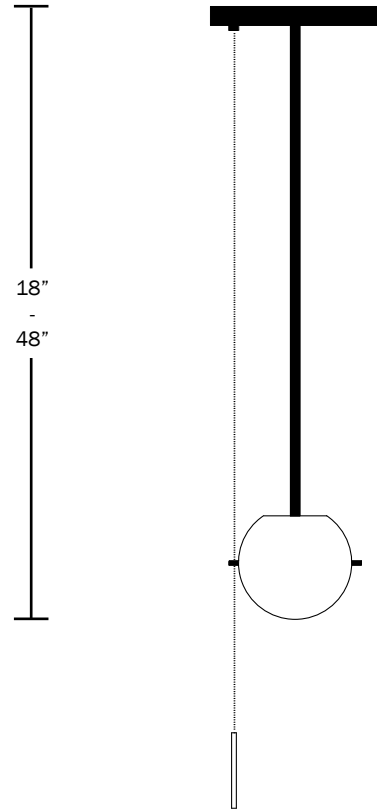
6 lbs

Lamp

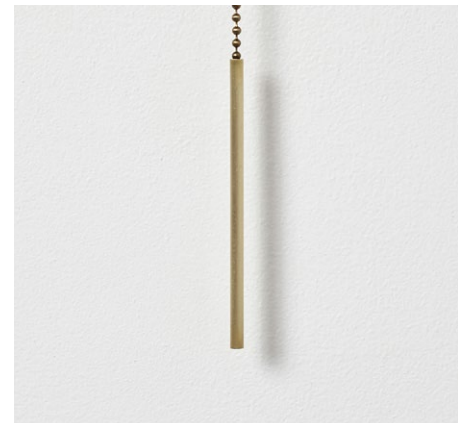
40 Watt Max
5W Dimmable Bulb Included
280 Lumens
2700K Color Temperature
Bulb Life 30,000 Hours
110/120V, E12
220/240V, E14
UL / CE Approved



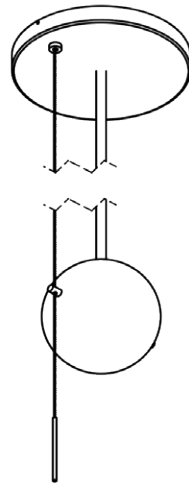
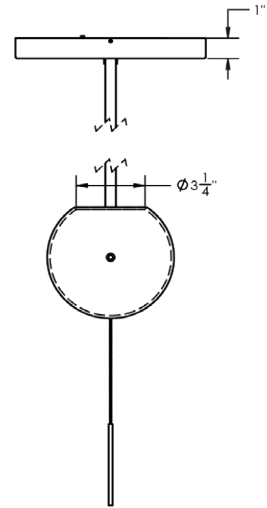
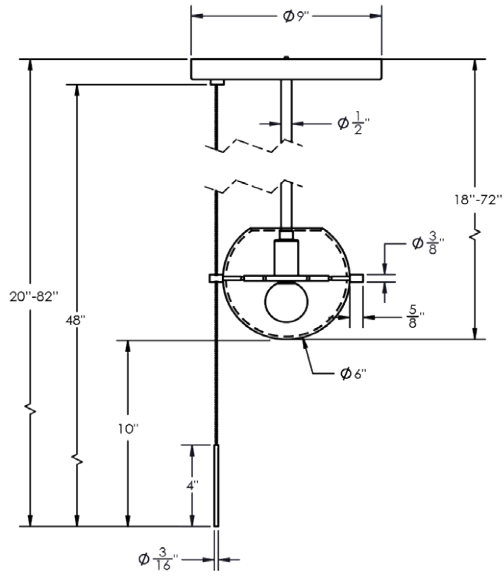
front



side



WORKSTEAD



WORKSTEAD



SIGNAL GLOBE
hewn brass

WORKSTEAD



SIGNAL GLOBE
bronze

WORKSTEAD



SIGNAL GLOBE
nickel

WORKSTEAD

SIGNAL GLOBE

hardwired

Description

The Signal Globe is the largest piece in the collection, composed of a monumental sphere suspended by a delicate armature.

A hand blown glass globe reflects onto a luminous canopy. A pull chain holds a slender rod, giving the piece a jewel-like presence.

Materials

Hand blown glass globe with a sandblasted finish. Hewn Brass, Bronze or Nickel with Matching Pull Chain

Dimensions

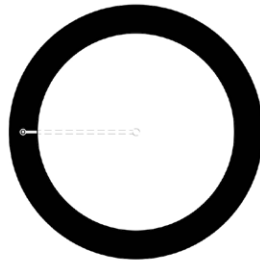
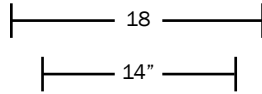
Globe - 14"
Canopy - 18"
Small - 36"
Medium - 48"
Large - 72"

Weight

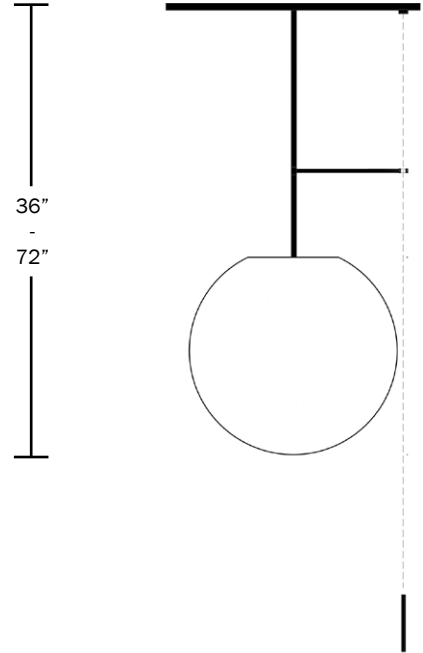
25 lbs

Lamp

60 Watt Max
6W Dimmable Bulb Included
540 Lumens
50 Watt Equivalent
2700K Color Temperature
Bulb Life 30,000 Hours
110/120V, E26
220/240V, E27
UL / CE Approved



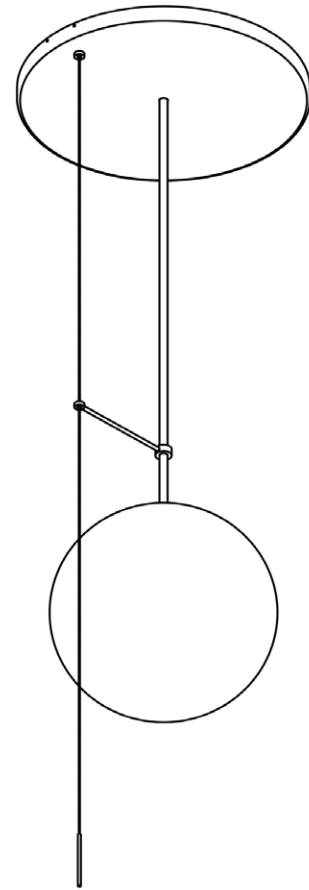
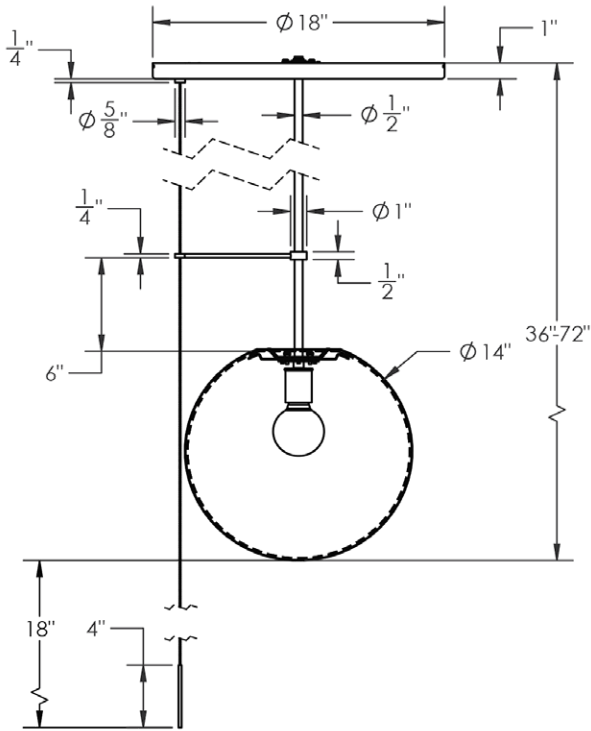
front



side



WORKSTEAD

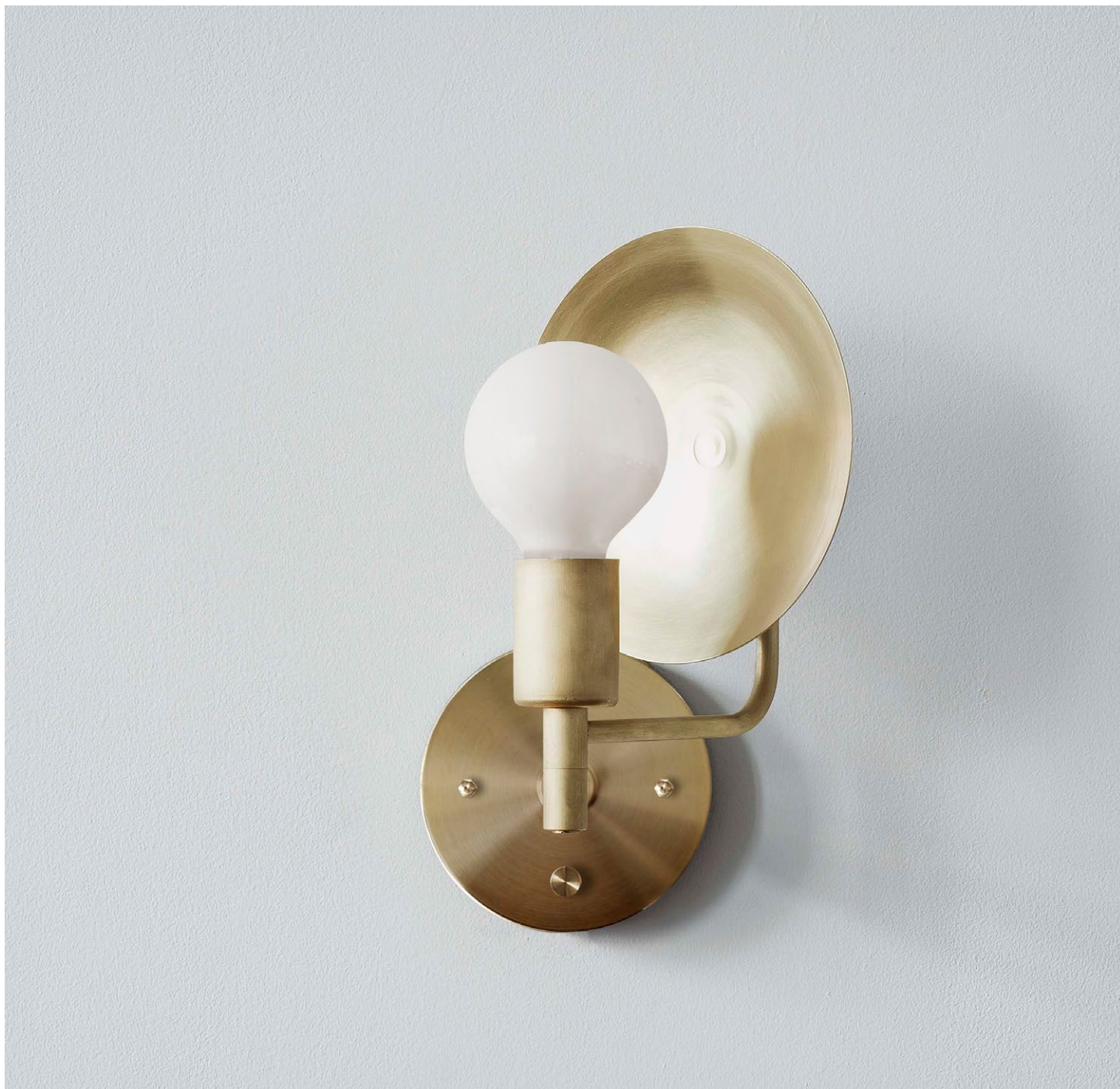


A modern table lamp featuring a large, circular brass reflector that glows from a central light bulb. The lamp is mounted on a square marble base with a brass finial. The text "WORKSTEAD" is overlaid in white on the brass reflector.

WORKSTEAD

orbit series

WORKSTEAD



ORBIT SCONCE
hewn brass

WORKSTEAD



ORBIT SCONCE
bronze

WORKSTEAD



ORBIT SCONCE
nickel

WORKSTEAD

ORBIT SCONCE

hardwired

Description

The Orbit Sconce is a modern interpretation of an early American candle form. With a reflective spun brass disc rotating 320 degrees, the sconce can act as both a reflector and deflector of light. The most elemental piece of the Orbit Series, the sconce radiates a unique and warm glow from a single point of light.

Materials

Hewn Brass
Bronze
Nickel

Dimensions

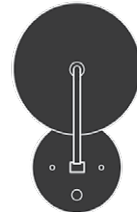
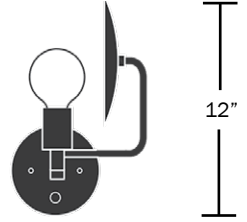
Disc - 7"
Canopy - 5"

Weight

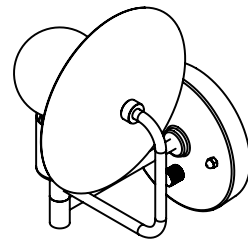
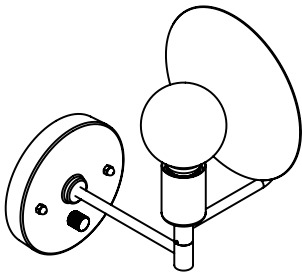
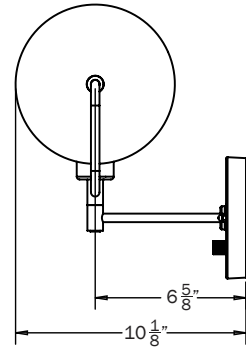
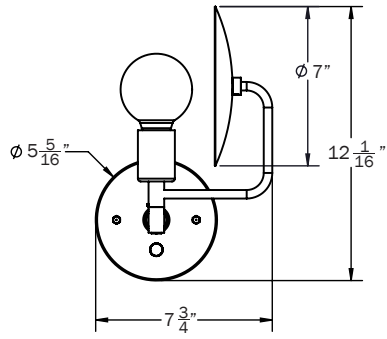
4 lbs

Lamp

60 Watt Max
6W Dimmable LED bulb included
540 Lumens
50 Watt Equivalent
2700K Color Temperature
Bulb Life 30,000 Hours
110/120V, E26
220/240, E27
UL / CE Approved



WORKSTEAD



WORKSTEAD



ORBIT SCONCE
hewn brass

WORKSTEAD



ORBIT SCONCE
bronze

WORKSTEAD



ORBIT SCONCE
nickel

WORKSTEAD

ORBIT SCONCE

plug-in

Description

The Orbit Sconce is a modern interpretation of an early American candle form. With a reflective spun brass disc rotating 320 degrees, the sconce can act as both a reflector and deflector of light. The most elemental piece of the Orbit Series, the sconce radiates a unique and warm glow from a single point of light.

Materials

Hewn Brass
Bronze
Nickel
Black or Nude Pulley Cord

Dimensions

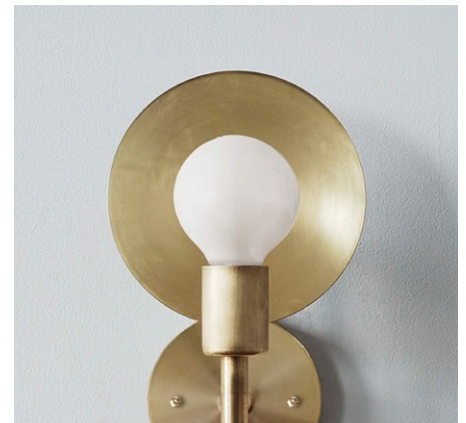
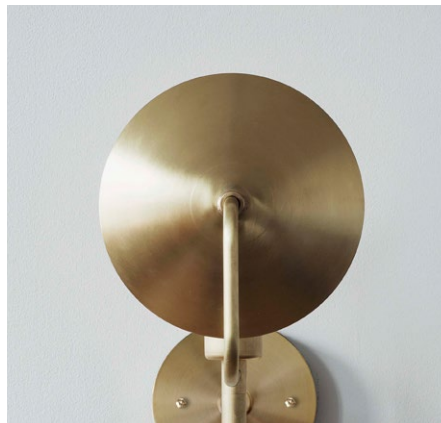
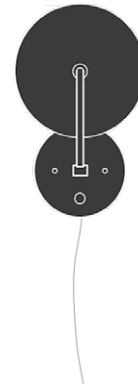
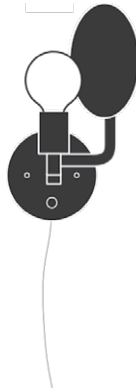
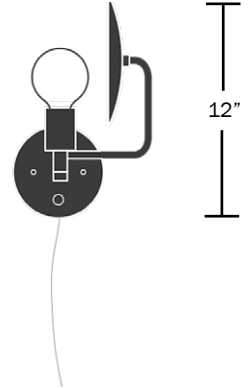
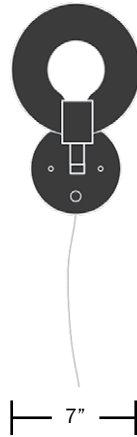
Disc - 7"
Canopy - 5"
Cord - 10'-0"

Weight

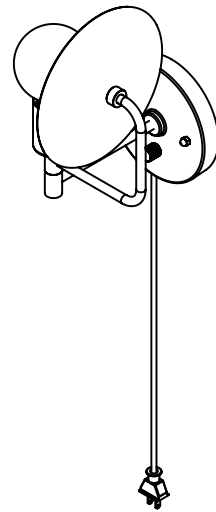
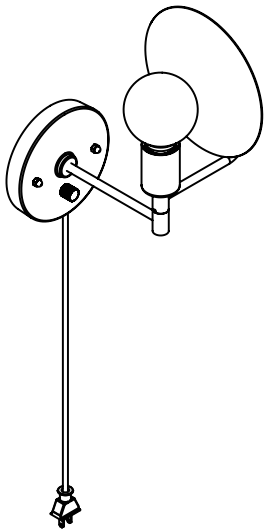
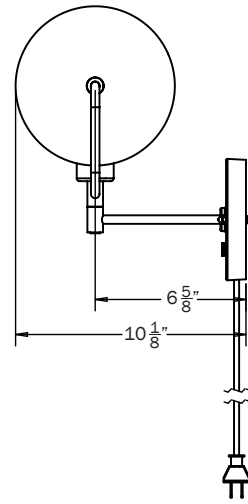
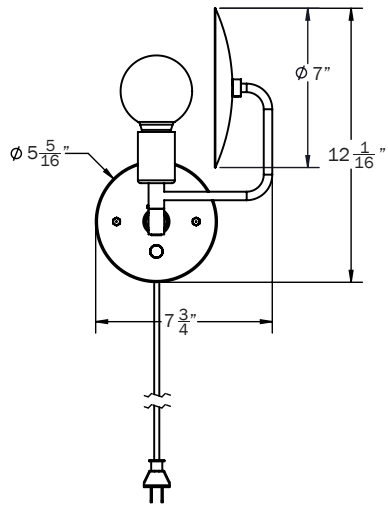
4 lbs

Lamp

60 Watt Max
6W Dimmable LED bulb included
540 Lumens
50 Watt Equivalent
2700K Color Temperature
Bulb Life 30,000 Hours
110/120V, E26
220/240, E27
UL / CE Approved



WORKSTEAD



WORKSTEAD



HELIOS
hewn brass

WORKSTEAD



HELIOS
bronze

WORKSTEAD



HELIOS
nickel

WORKSTEAD

HELIOS

plug-in

Description

This table lamp celebrates the celestial. A single light source is positioned directly opposite a large brass dish, evoking the scale of the planets at the scale of the table top.

With infinite combinations of luminosity and orientation, the Helios lamp is an art object.

Materials

Hewn Brass
Bronze
Nickel
Carrara Marble Base
Black or Nude Pulley Cord

Dimensions

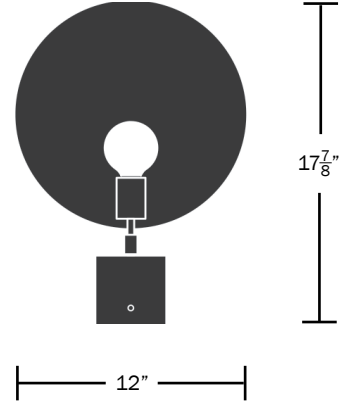
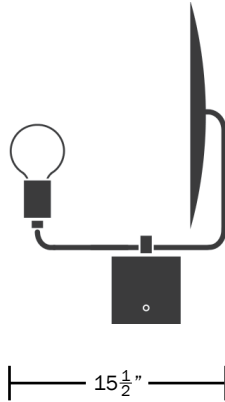
Height - 17 - 5/8"
Disc - 12"
Base - 3 - 7/8"
Cord - 10'-0"

Weight

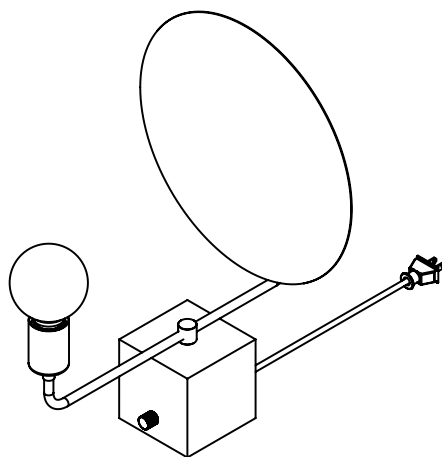
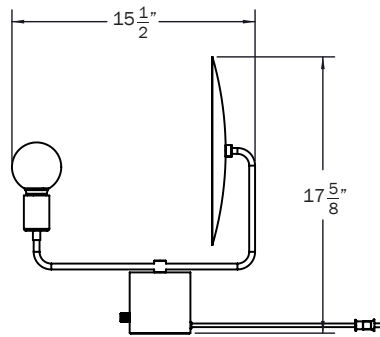
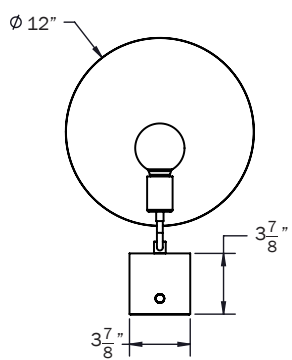
4 lbs

Lamp

60 Watt Max
6W Dimmable LED bulb included
540 Lumens
50 Watt Equivalent
2700K Color Temperature
Bulb Life 30,000 Hours
110/120V, E26
220/240, E27
UL / CE Approved



WORKSTEAD





WORKSTEAD

industrial collection

WORKSTEAD



INDUSTRIAL CHANDELIER

WORKSTEAD

INDUSTRIAL CHANDELIER

hardwired

Description

The Workstead Chandelier fuses the concept of the chandelier with a keen understanding of function and flexibility.

The same standard pieces can be configured in countless ways; as a horizontal fixture that hangs 30" from the ceiling, or as a tall vertical gesture that hangs a dramatic 60" below ceiling.

Materials

Powder-coated and cast brass clamps with black cloth pulley cord.

Dimensions

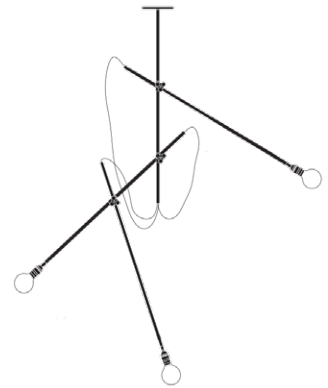
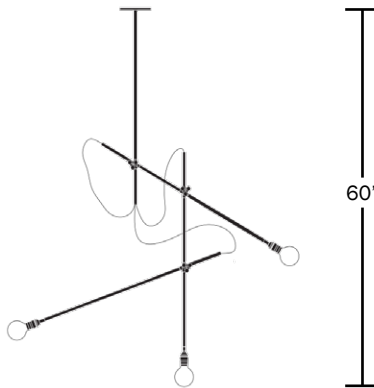
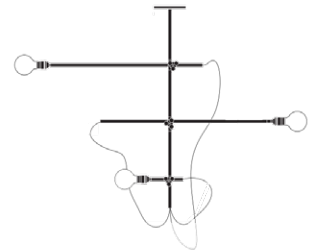
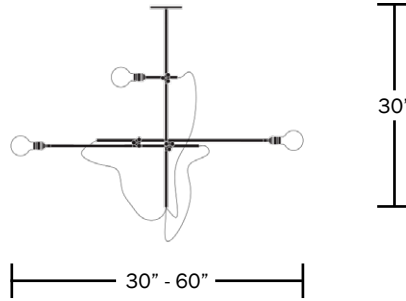
Vertical Stem - 30"
Horizontal Arms - 30"
Canopy - 5 1/4"
Adjustable Depth - 30" to 60"

Weight

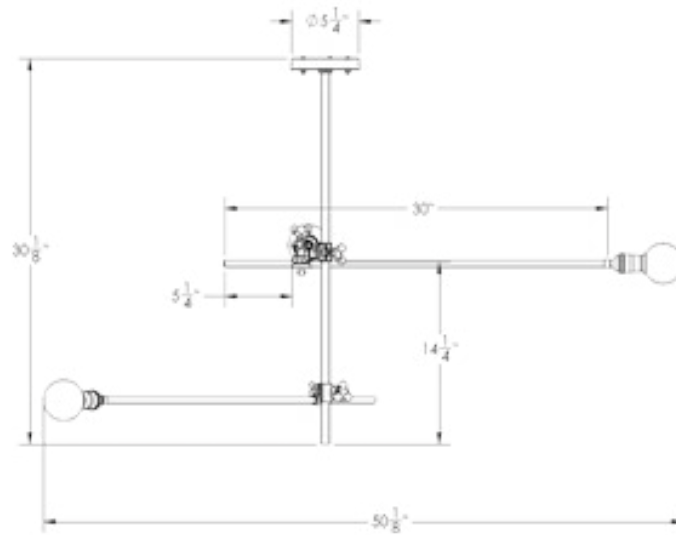
13 lbs

Lamp

60 Watt Max
6W Dimmable LED bulb included
540 Lumens
50 Watt Equivalent
2700K Color Temperature
Bulb Life 30,000 Hours
110/120V, E26
220/240, E27
UL / CE Approved



WORKSTEAD



WORKSTEAD



BRASS CHANDELIER

WORKSTEAD

BRASS CHANDELIER

hardwired

Description

The Brass Chandelier fuses the concept of the chandelier with a keen understanding of function and flexibility.

The same standard pieces can be configured in countless ways; as a horizontal fixture that hangs 30" from the ceiling, or as a tall vertical gesture that hangs a dramatic 60" below ceiling.

Materials

Hewn and cast brass, with a nude cloth pulley cord.

Dimensions

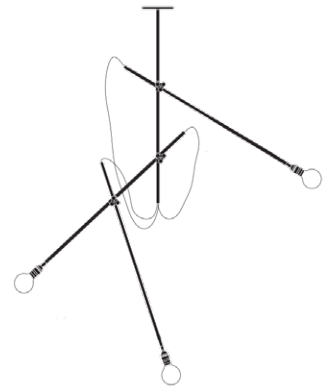
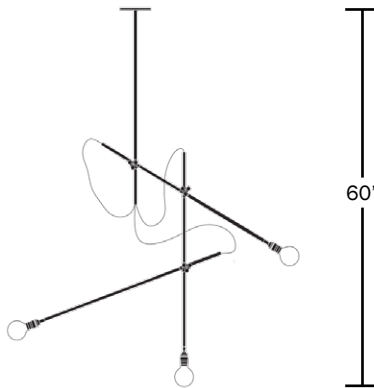
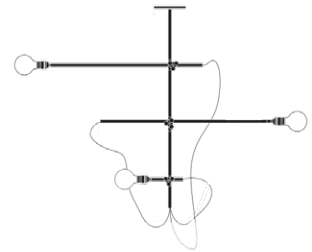
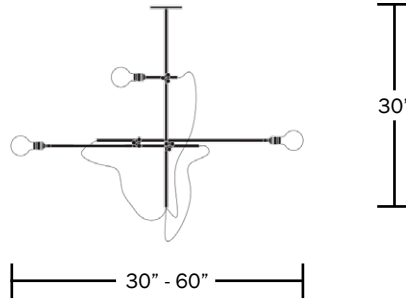
Vertical Stem - 30"
Horizontal Arms - 30"
Canopy - 5 1/4"
Adjustable Depth - 30" to 60"

Weight

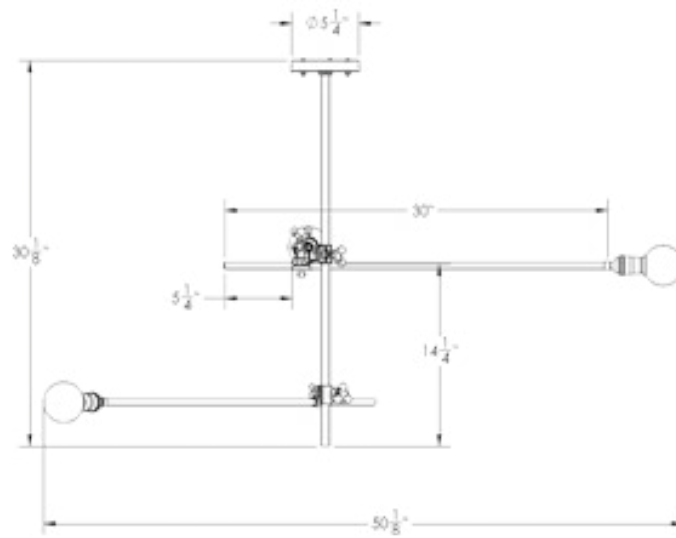
13 lbs

Lamp

60 Watt Max
6W Dimmable LED bulb included
540 Lumens
50 Watt Equivalent
2700K Color Temperature
Bulb Life 30,000 Hours
110/120V, E26
220/240, E27
UL / CE Approved



WORKSTEAD



WORKSTEAD



BLACK PENDANT

WORKSTEAD

BLACK PENDANT

hardwired

Description

This elemental pendant comes in an all-black finish. A joint allows 90 degrees of rotation. The dimension of the rod can be customized at three standard lengths, with further customization available upon request.

Materials

Powder-coated and cast brass

Dimensions

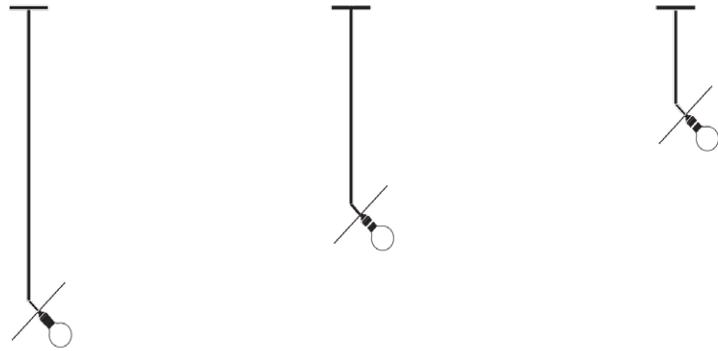
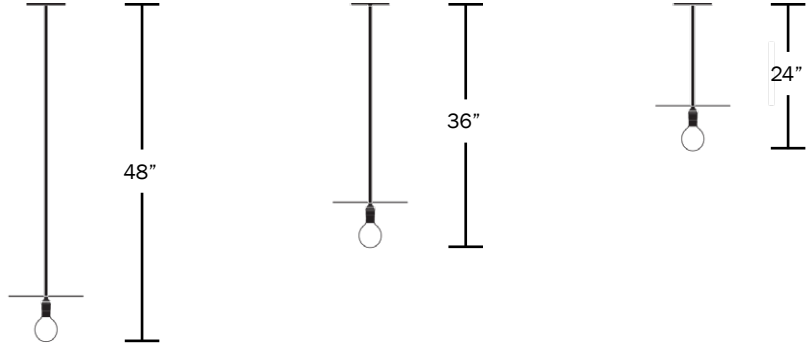
Small - 24"
Medium - 36"
Large - 48"
Disc - 10" dia.

Weight

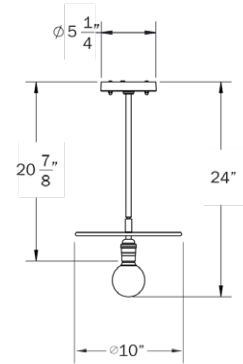
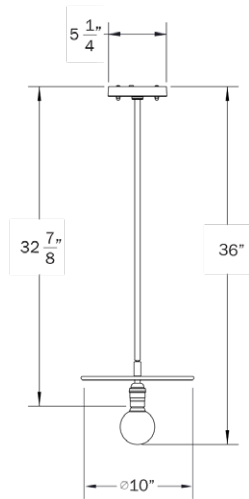
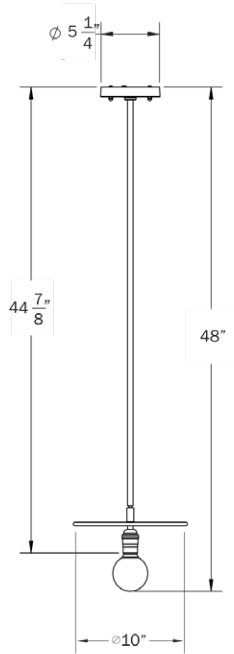
4 lbs

Lamp

60 Watt Max
6W Dimmable LED bulb included
540 Lumens
50 Watt Equivalent
2700K Color Temperature
Bulb Life 30,000 Hours
110/120V, E26
220/240, E27
UL / CE Approved



WORKSTEAD



WORKSTEAD



BRASS PENDANT

WORKSTEAD

BRASS PENDANT

hardwired

Description

This elemental pendant comes in an all-black finish. A joint allows 90 degrees of rotation. The dimension of the rod can be customized at three standard lengths, with further customization available upon request.

Materials

Hewn and cast brass

Dimensions

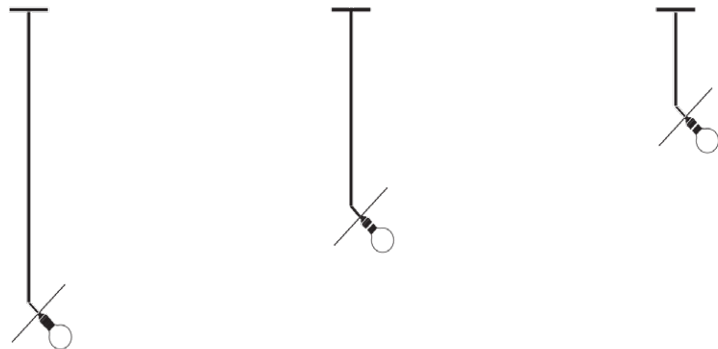
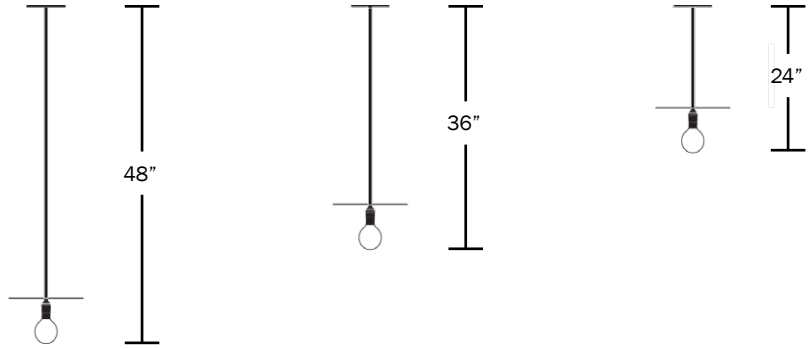
Small - 24"
Medium - 36"
Large - 48"
Disc - 10" dia.

Weight

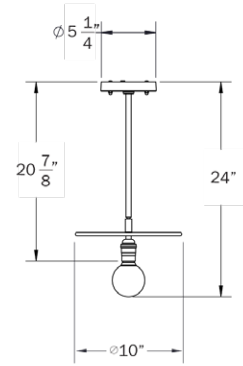
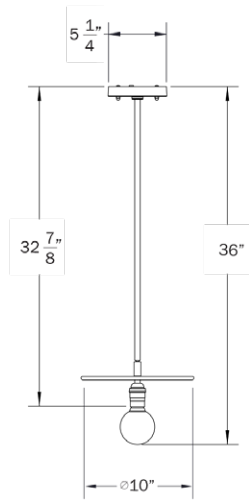
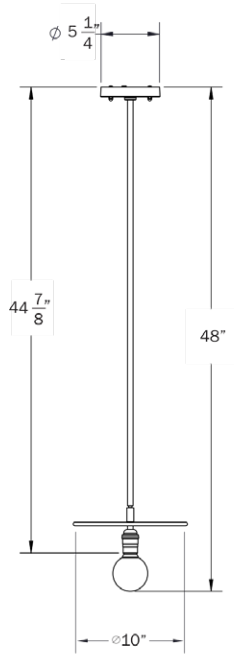
4 lbs

Lamp

60 Watt Max
6W Dimmable LED bulb included
540 Lumens
50 Watt Equivalent
2700K Color Temperature
Bulb Life 30,000 Hours
110/120V, E26
220/240, E27
UL / CE Approved



WORKSTEAD



WORKSTEAD



WALL LAMP
hardwired

WORKSTEAD

WALL LAMP

hardwired

Description

The Wall Lamp is the simplest yet most adjustable of all the fixtures in the Workstead line. It can be utilized as a wall sconce, reading lamp, ceiling washer, or even a task light. Complemented by a black shade, the lamp is an elegant and flexible frame for a single bulb.

Materials

Powder-coated and cast brass with a black cloth pulley cord.

Dimensions

Fixed Arm - 18"
Adjustable Arm - 24"
Shade - 10"
Canopy - 5 $\frac{1}{4}$ "

Weight

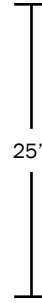
6 lbs

Lamp

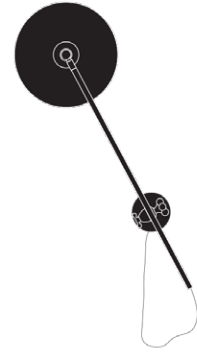
60 Watt Max
6W Dimmable LED bulb included
540 Lumens
50 Watt Equivalent
2700K Color Temperature
Bulb Life 30,000 Hours
110/120V, E26
220/240, E27
UL / CE Approved



side



25"



front



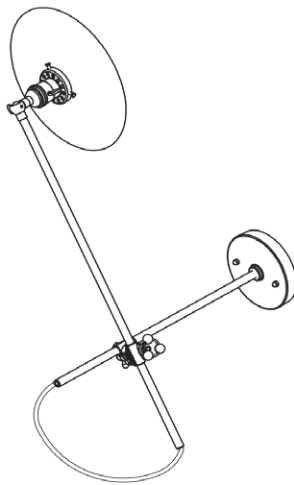
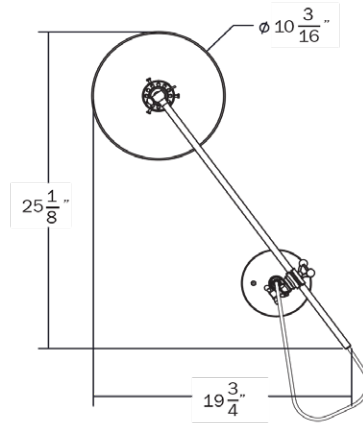
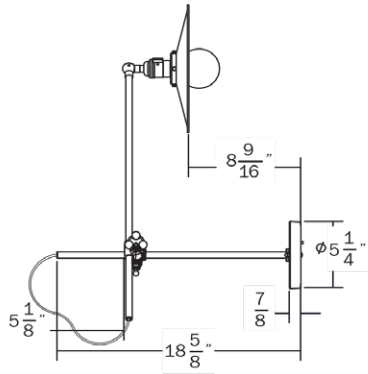
side



front



WORKSTEAD



WORKSTEAD



BRASS WALL LAMP
hardwired

WORKSTEAD

BRASS WALL LAMP

hardwired

Description

The Brass Wall Lamp is the simplest yet most adjustable of all the fixtures in the Workstead line. It can be utilized as a wall sconce, reading lamp, ceiling washer, or even a task light. Complemented by a black shade, the lamp is an elegant and flexible frame for a single bulb.

Materials

Hewn and cast brass with a nude cloth pulley cord.

Dimensions

Fixed Arm - 18"
Adjustable Arm - 24"
Shade - 10"
Canopy - 5 $\frac{1}{2}$ "

Weight

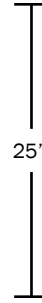
6 lbs

Lamp

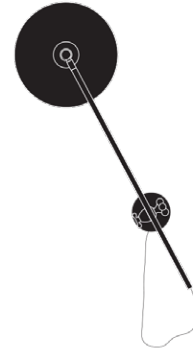
60 Watt Max
6W Dimmable LED bulb included
540 Lumens
50 Watt Equivalent
2700K Color Temperature
Bulb Life 30,000 Hours
110/120V, E26
220/240, E27
UL / CE Approved



side



25"



front



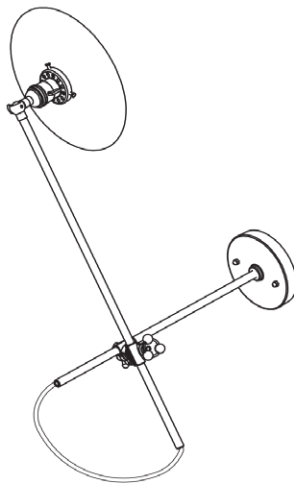
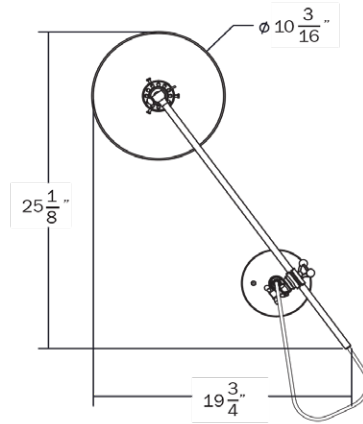
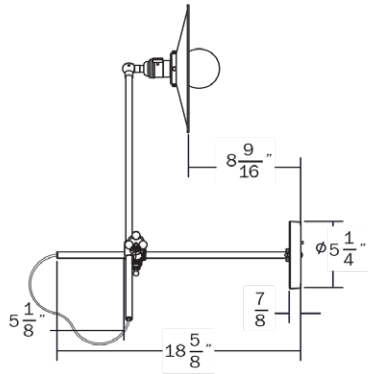
side



front



WORKSTEAD



WORKSTEAD



WALL LAMP
plug-in

WORKSTEAD

WALL LAMP

plug-in

Description

The Wall Lamp is the simplest yet most adjustable of all the fixtures in the Workstead line. It can be utilized as a wall sconce, reading lamp, ceiling washer, or even a task light. Complemented by a black shade, the lamp is an elegant and flexible frame for a single bulb.

Materials

Powder-coated and cast brass with a black cloth pulley cord.

Dimensions

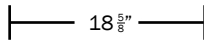
Fixed Arm - 18"
Adjustable Arm - 24"
Shade - 10"
Canopy - 5 $\frac{1}{2}$ "
Cord - 10'-0"

Weight

5 lbs

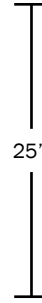
Lamp

60 Watt Max
6W Dimmable LED bulb included
540 Lumens
50 Watt Equivalent
2700K Color Temperature
Bulb Life 30,000 Hours
110/120V, E26
220/240, E27
UL / CE Approved

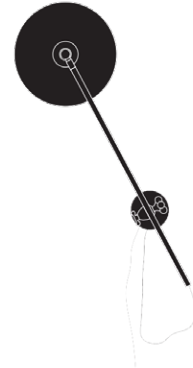


18 $\frac{5}{8}$ "

side



25"



front



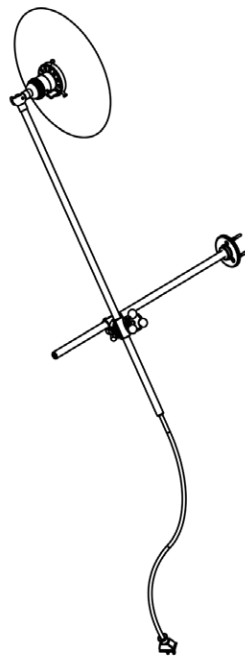
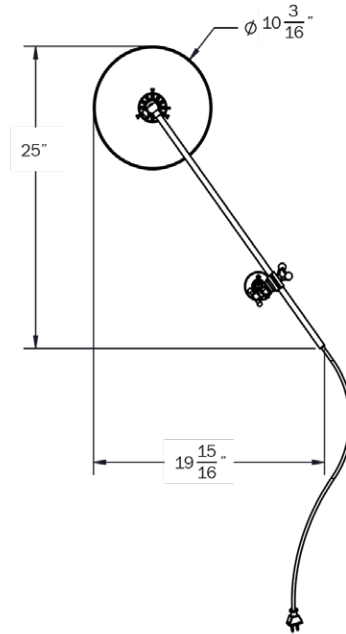
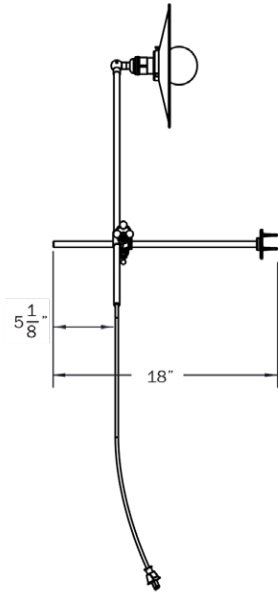
side



front



WORKSTEAD



WORKSTEAD



WALL LAMP
plug-in

WORKSTEAD

WALL LAMP

plug-in

Description

The Brass all Lamp is the simplest yet most adjustable of all the fixtures in the Workstead line. It can be utilized as a wall sconce, reading lamp, ceiling washer, or even a task light. Complemented by a black shade, the lamp is an elegant and flexible frame for a single bulb.

Materials

Hewn and cast brass with a nude cloth pulley cord.

Dimensions

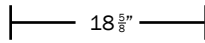
Fixed Arm - 18"
Adjustable Arm - 24"
Shade - 10"
Canopy - 5 $\frac{1}{2}$ "
Cord - 10'-0"

Weight

5 lbs

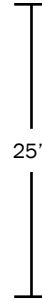
Lamp

60 Watt Max
6W Dimmable LED bulb included
540 Lumens
50 Watt Equivalent
2700K Color Temperature
Bulb Life 30,000 Hours
110/120V, E26
220/240, E27
UL / CE Approved

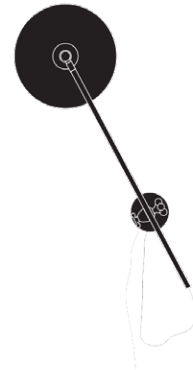


18 $\frac{5}{8}$ "

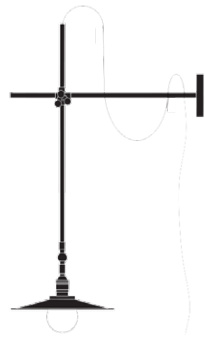
side



25"



front



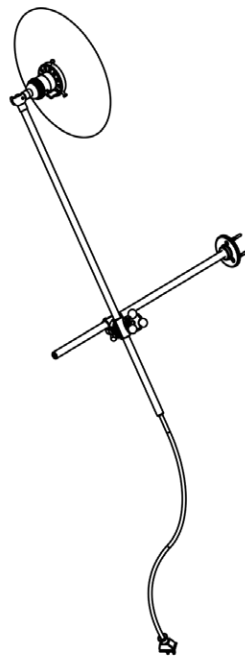
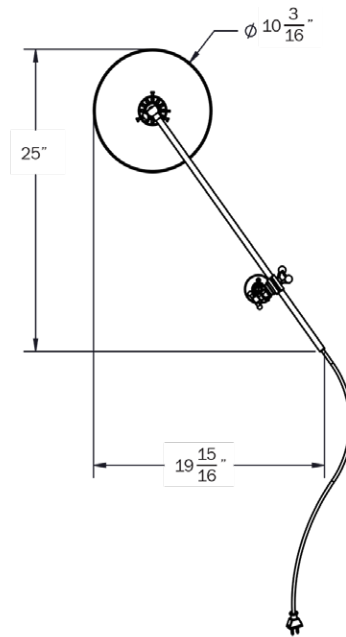
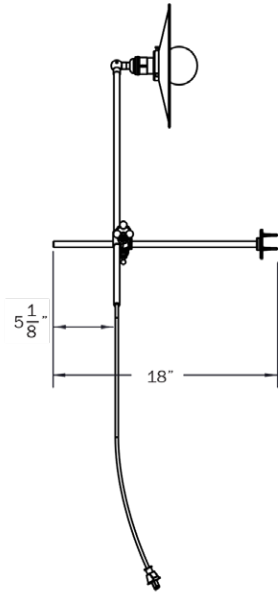
side



front



WORKSTEAD



WORKSTEAD

case goods



WORKSTEAD



CREDENZA

Description

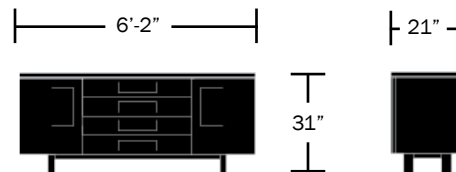
The Credenza is a rich study of material gesture; a composition of oblique handles that come together to form a dynamic yet subtle effect. It features doors that are carved from solid beech, including 4 drawers and two cabinets with adjustable interior shelving.

Materials

Solid Beech Wood with
Beech Veneer Interior

Dimensions

6'-2"W x 31"H x 21"D



WORKSTEAD



CREDENZA

Description

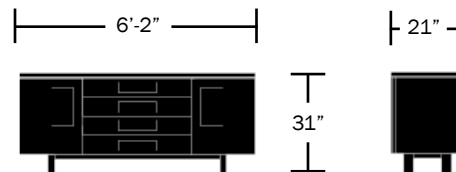
The Credenza is a rich study of material gesture; a composition of oblique handles that come together to form a dynamic yet subtle effect. It features doors that are carved from solid walnut, including 4 drawers and two cabinets with adjustable interior shelving.

Materials

Solid Walnut Wood with Walnut Veneer Interior

Dimensions

6'-2"W x 31"H x 21"D



WORKSTEAD



WARDROBE

Description

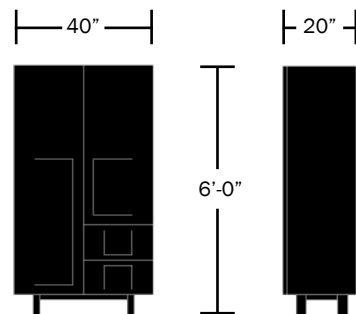
The Wardrobe is one part closet, one part dresser, and one part cabinet. Featuring doors carved from solid beech, it can be configured in numerous ways, and includes a clothing rod, adjustable shelves, and drawers.

Materials

Solid Beech Wood with
Beech Veneer Interior

Dimensions

40"W x 6'H x 20"D



WORKSTEAD



WARDROBE

Description

The Wardrobe is one part closet, one part dresser, and one part cabinet. Featuring doors carved from solid walnut, it can be configured in numerous ways, and includes a clothing rod, adjustable shelves, and drawers.

Materials

Solid Walnut Wood with Walnut Veneer Interior

Dimensions

40"W x 6'H x 20"D

