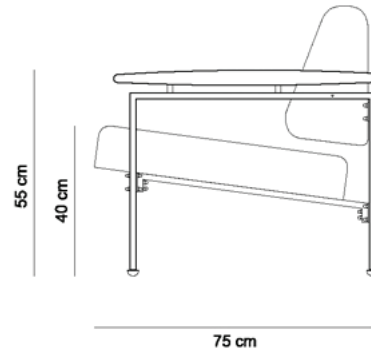
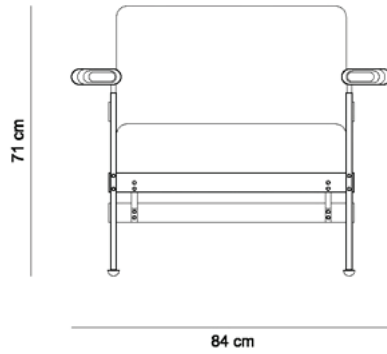
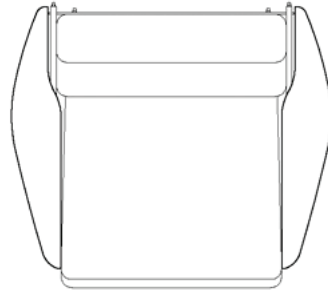


# BETO ARMCHAIR 1958

---



---

## PRODUCT INFO

### DIMENSIONS

---

- 84 x 75 x 71 h (cm)

### PRODUCT DESCRIPTION

---

- Stainless steel frame
- Solid wood arms
- Upholstered seat and back

---

## INFO



"This Sergio Rodrigues furniture line is licensed to and commercialized exclusively by LinBrasil Ltda and is protected by patent laws and legal sanctions under both criminal and civil codes. Legal proceedings may be instituted against any parties breaching the rights of LinBrasil."