



OVERGAARD & DYRMAN

Crafted in Denmark

OD WBS (L/H)

WIRE BAR STOOL (Low/High)

Design: Christian Dyrman, Jasper Overgaard

Manufacture: Overgaard & Dyrman

Year: 2014

Origin: Denmark



MATERIALS

For more detailed information on materials please find the material guide at OandD.dk/downloads.

Cushion (Leather)

The cushions of the Wire Collection consist of two types of leather. A back in a thick full-grain saddle leather and a front in soft full-grain leather (shown at the colour range to the right).

These two types of leather do not come from the same hide and variations in tone and colour may therefore occur.

**The Matstone Sand & Dark Grey comes only in a Two Tone Sand/Black & Dark Grey/Black combination, where the back is always black.*

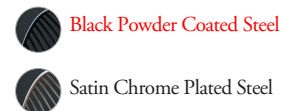
Leather colour range



Footrest (Solid Wood)



Frame (Steel)



DATA

The low Wire Bar Stool is suitable for kitchen/counter height 90-100cm. The high Wire Bar Stool is suitable for bar height 100-110cm.

Dimensions (mm)

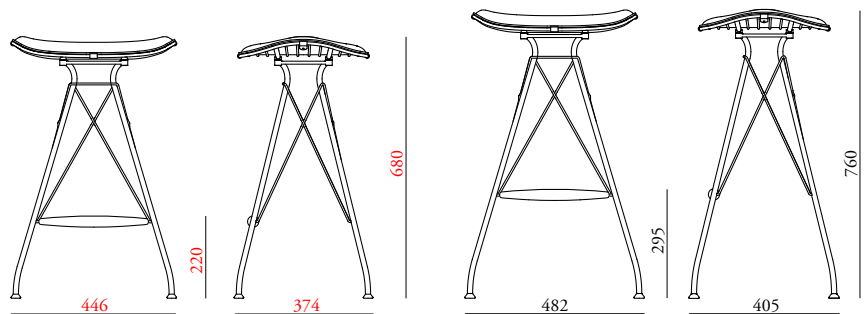
WBS-Low (68): H 680 / W 446 / D 374

WBS-High (76): H 760 / W 482 / D 405

Weight, net (kg)

WBS-Low: 6.8

WBS-High: 7.2



SHIPPING INFORMATION

Dimensions, gross (mm)

WBS-Low : L 510 / W 440 / H 740

WBS-High: L 500 / W 420 / H 810

Volume, gross (m³)

WBS-Low : 0.17

WBS-High: 0.17

Weight, gross (kg)

WBS-Low : 9.00

WBS-High: 9.90

TESTS

Danish Technological Institute

Model Wire Bar Stool fulfills the requirements in EN 1022:2005 and EN 16139:2013. (Report No: 725479-1)