



NAAMA HOFMAN
LIGHT OBJECTS

THE 020 COLLECTION



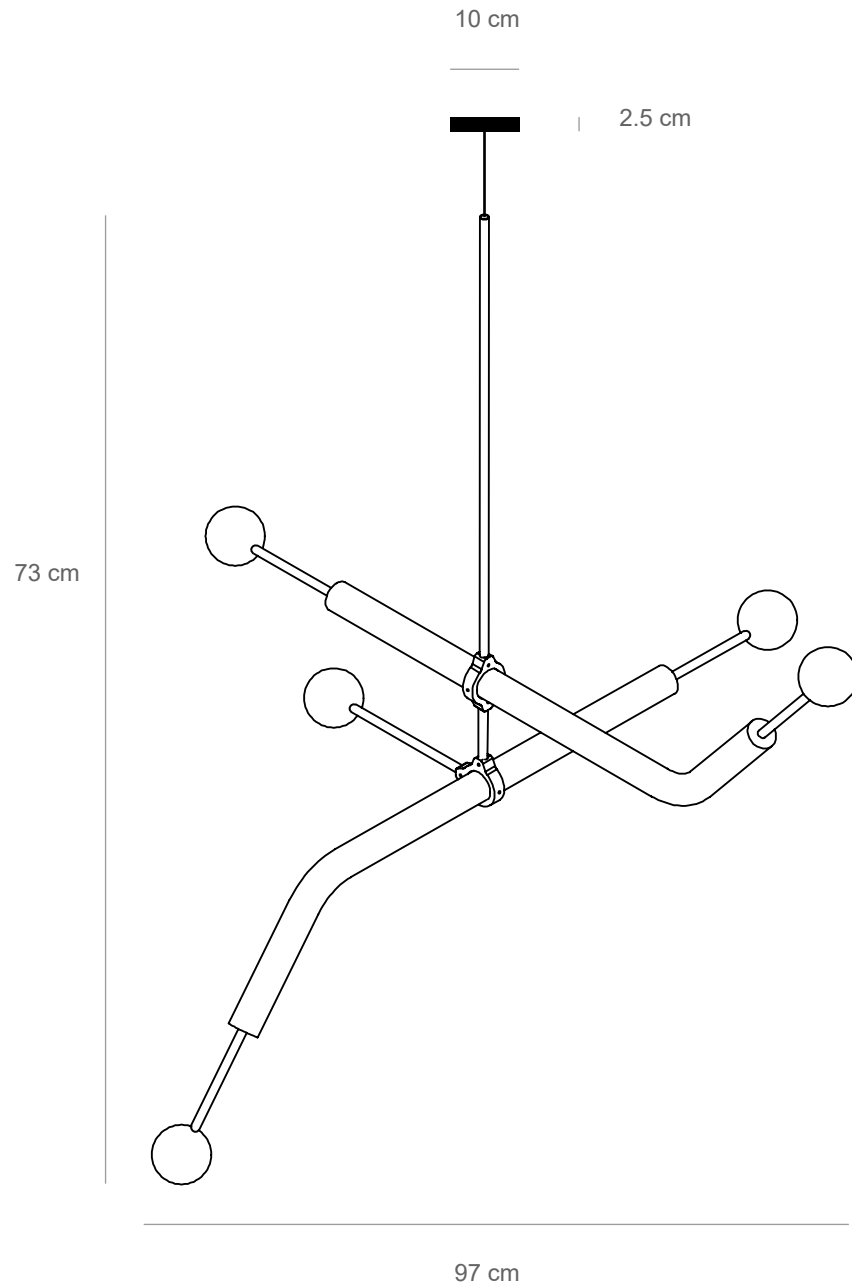
Pendant light object

Vivacious and full of movement, this light object inspires and can suite nearly any space.

Light Object

technical details

020.3



Materials: brass, glass balls, LED light bulb
Light: G9 LED light bulb
Lumens: 1600

Color temperature: 2700K warm white

Dimensions: 97 cm x 97 cm x 73 cm (height to order)
Number of light balls: 5

Brass pipe diameter: 10 mm & 36 mm
Canopy diameter: 10 cm

Voltage: 110-240

Assembled by hand in Berlin studio from costume components.
Available finishes: polished brass, natural brass, saten brass, black, white
Customization available.
Made to order.