



**NAAMA HOFMAN**  
**LIGHT OBJECTS**  
THE 020 COLLECTION



---

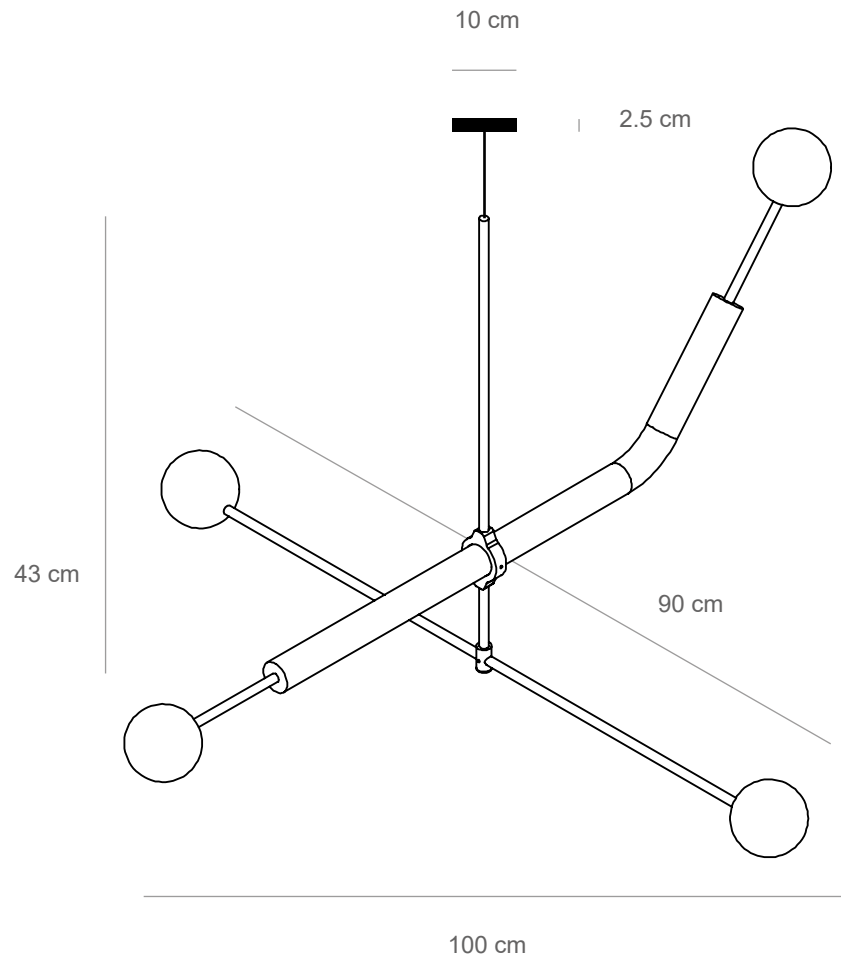
*Pendant light object*

Classically modern, this light object was designed as a multi-purpose light object. It easily complements any space without imposing itself.

# Light Object

technical details

020.2



---

Materials: brass pipe, glass balls, LED light bulb  
Light: G9 LED light bulb  
Lumens: 1600

Color temperature: 2700K warm white

Dimensions: 100 cm x 90 cm x 43 cm (height to order)  
Number of light balls: 4

Brass pipe diameter: 10 mm & 36 mm  
Canopy diameter: 10 cm

Voltage: 110-240

Assembled by hand in Berlin studio from costume components.  
Available finishes: polished brass, natural brass, saten brass, black, white  
Customization available.  
Made to order.