



NAAMA HOFMAN
LIGHT OBJECTS

THE 020 COLLECTION



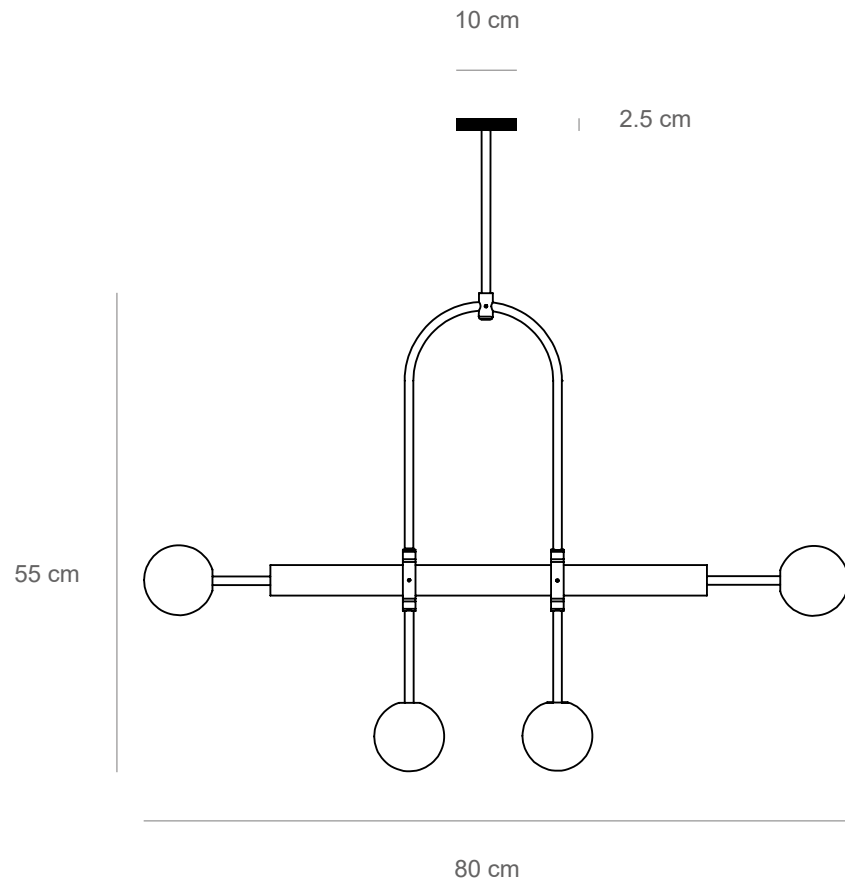
Pendant light object

Inspired by the simplicity of Light Object 018, this new object is LED based light and it utilizes the design power of round light with the support of simple lines and comforting shapes.

Light Object

technical details

020.1



Materials: brass pipe, glass balls, LED light bulb
Light: G9 LED light bulb
Lumens: 1280

Color temperature: 2700K warm white

Dimensions: 80 cm x 55 cm (height to order)
Number of light balls: 4

Brass pipe diameter: 10 mm & 36 mm
Canopy diameter: 10 cm

Voltage: 110-240

Assembled by hand in Berlin studio from costume components.
Available finishes: polished brass, natural brass, saten brass, black, white
Customization available.
Made to order.