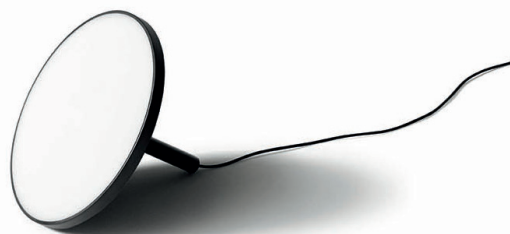


Poet

Keiji Takeuchi

2018

Pendant and floor/table lamps



CONTROL: colour temperature (tunable white) and dimmer controlled by 2 buttons.

Ø40 cm - A led circuit positioned inside the lamp ensures homogeneous and functional illumination.

Ø80 cm - A diffusion through light guides ensures homogeneous and functional illumination over the whole diameter.

Materials Ø 40 cm:

FRAME: "soft touch" matt black powder-coated metal.

CEILING ROSE: "Soft touch" matt black powder-coated metal.

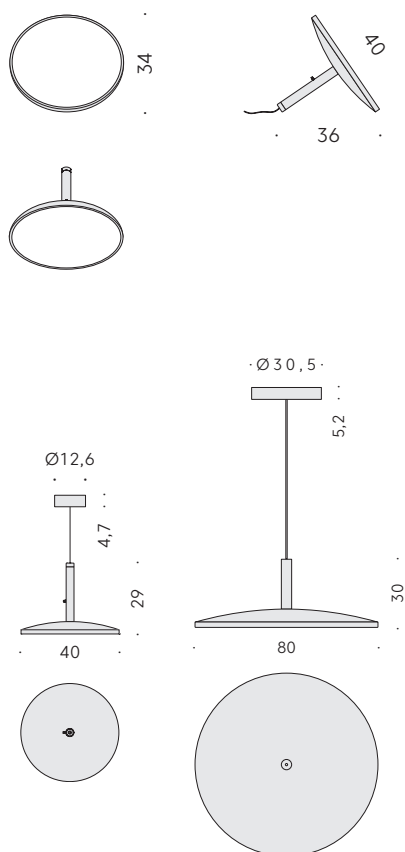
DIFFUSOR: opal optical white polycarbonate.

Materials Ø 80 cm:

FRAME: "soft touch" matt grey powder-coated metal.

CEILING ROSE: "Soft touch" matt grey powder-coated metal.

DIFFUSOR: opal white polycarbonate



Classification:

Class II

Protection category

IP30

Supply voltage:

100÷240V/50÷60 Hz

Power supply:

AC adapter integrated in the product: Output: 24 V

Compatible bulbs:

-

Light source:

LED, 36 W (POE#3SNE/TNE)

LED, 65 W (POE#2SGR)

Colour rendering index

CRI 85

Colour temperature:

Tunable white (2700÷5200 K).

Energy class:

A+

Dimmer

Included.