

# PELLE

## BEAM AND GLOW

**Product Name:**

Beam 02 Sconce

**Design Year:**

2018

**Designer / Manufacturer:**

PELLE

**Dimensions:**

L 26in/66cm x W 4in/10cm x D 4in/10cm

**LED Illumination:**

Wattage: 12.41

Lumens: 802.4

Color Temperature: 2400K

Life Hours: 50,000

CRI: 95

Local TRIAC Dimmable Driver (120V)

Remote 0-10V Dimmable Driver (240V)

**Mounting:**

Wall or Flush-Mount

**Materials:**

Aluminum, integrated LED, Chromatic Resin Lens

**Metal Finish Options:**

Anodized: Silver, Black

Hand-Stained: Lilac, Green

Please inquire for custom anodized/hand-stained colors.

**Lens Color:**

Amber, Rose, Frosted

**Certifications:**

UL and cUL certification upon request

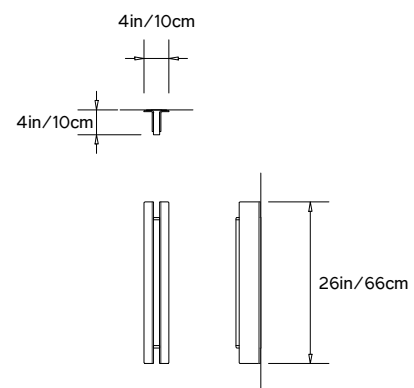
CE

**Made in:**

New York, USA



Pictured in Anodized Silver with Rose Lens



# PELLE

## BEAM AND GLOW

**Product Name:**

Beam 04 Sconce

**Design Year:**

2018

**Designer / Manufacturer:**

PELLE

**Dimensions:**

L 47.75in/120cm x W 4in/10cm x D 4in/10cm

**LED Illumination:**

Wattage: 25.55

Lumens: 1652

Color Temperature: 2400K

Life Hours: 50,000

CRI: 95

Local TRIAC Dimmable Driver (120V)

Remote 0-10V Dimmable Driver (240V)

**Mounting:**

Wall or Ceiling

**Materials:**

Aluminum, integrated LED, Chromatic Lens

**Metal Finish Options:**

Anodized: Silver, Black

Hand-Stained: Lilac, Green

Please inquire for custom anodized/hand-stained colors.

**Lens Color:**

Amber, Rose, Frosted

**Certifications:**

UL and cUL certification upon request

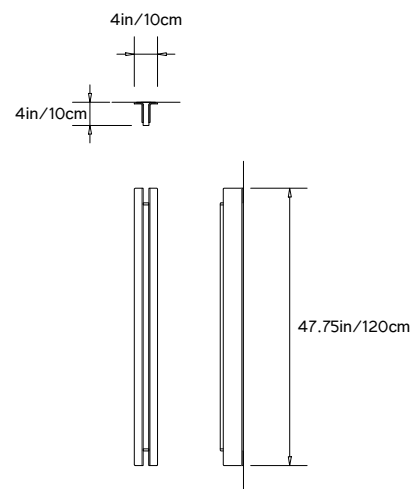
CE

**Made in:**

New York, USA



Pictured in Anodized Silver with Rose Lens



# PELLE

## BEAM AND GLOW

**Product Name:**

Beam 06 Sconce

**Design Year:**

2018

**Designer / Manufacturer:**

PELLE

**Dimensions:**

L 69.25in/176cm x W 4in/10cm x D 4in/10cm

**LED Illumination:**

Wattage: 37.96

Lumens: 2454.4

Color Temperature: 2400K

Life Hours: 50,000

CRI: 95

Local TRIAC Dimmable Driver (120V)

Remote 0-10V Dimmable Driver (240V)

**Mounting:**

Wall or Flush-Mount

**Materials:**

Aluminum, integrated LED, Chromatic Resin Lens

**Metal Finish Options:**

Anodized: Silver, Black

Hand-Stained: Lilac, Green

Please inquire for custom anodized/hand-stained colors.

**Lens Color:**

Amber, Rose, Frosted

**Certifications:**

UL and cUL certification upon request

CE

**Made in:**

New York, USA



Pictured in Anodized Silver with Rose Lens

