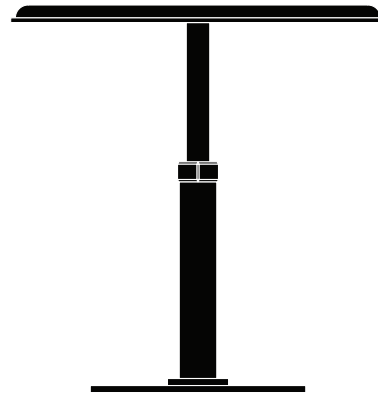

PEDESTAL

Side Table



GABRIEL SCOTT
EST 2012



PEDESTAL

Side Table

1/4

Nesting together or free-standing, the PEDESTAL Table is the perfect accent side piece for any space. The classic bistro-inspired silhouette showcases fine attention to detail with GABRIEL SCOTT'S signature contrasting hardware at the PEDESTAL base offering full adjustability to its height. The PEDESTAL Table features a marble top with soft, rounded contours and is available in round, square, and hexagon shapes, as well as a variety of sizes.

All GABRIEL SCOTT pieces are handmade in Canada.



GABRIEL SCOTT

EST. 2012



PEDESTAL

Side Table

2/4



GABRIEL SCOTT

EST. 2012



PEDESTAL

Side Table

3/4



GABRIEL SCOTT



PEDESTAL Side Table

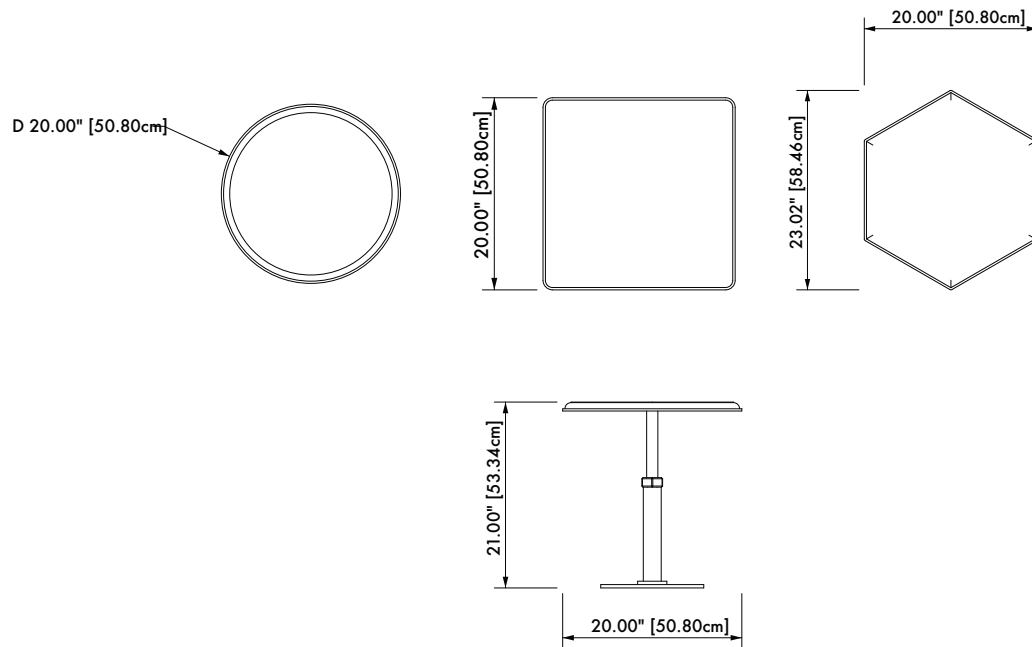
4/4

Spec sheet

Product name: Pedestal Side Table

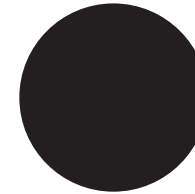
Standard Leadtime: 12 - 14 weeks

Dimensions: 20" D x 11" - 21" H
50.8cm D x 28cm - 53cm H
Height Adjustable



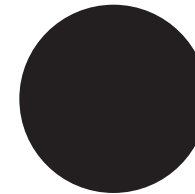
Standard Finishes

Standard Base Finish Options:



Blackened Steel

Standard Hardware Finish Options:



Blackened Steel



Satin Brass

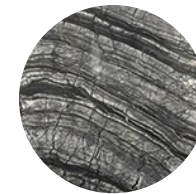


Satin Copper

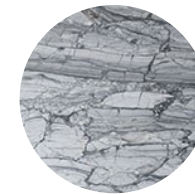
Marble Options:



Grigio Carnico



Silver Wave



Zebra Gray



Bianco Gioia

GABRIEL SCOTT

CST 2012

