
MARX
Stool



GABRIEL SCOTT
EST 2012



MARX

Stool

1/3

Complimentary to any setting, this accent piece, upholstered in charcoal or heather grey with contrasting hardware is easily at home in a living space, entry way or at the foot of a bed.

The bold and geometric base is available in black steel with distinct brass hardware, and in full brass or full copper options. COM and COL options available.

All Gabriel Scott pieces are handmade in Canada.



GABRIEL SCOTT

EST. 2012



MARX

Stool

2/3



MARX Stool

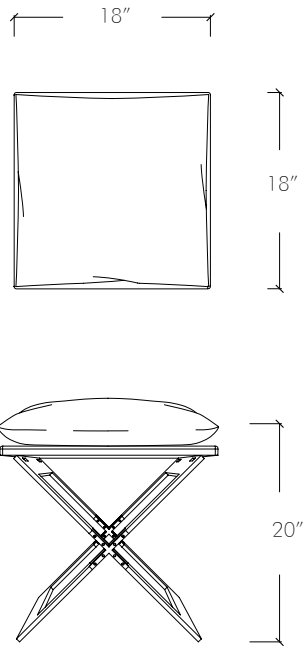
3/3

Spec sheet

Product name: Marx Stool

Standard Leadtime: 8 - 10 weeks

Dimensions: 18" x 18" x 20" H



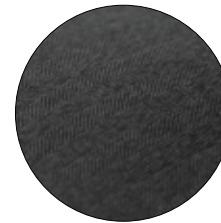
Standard Finishes

Standard Finish Options:

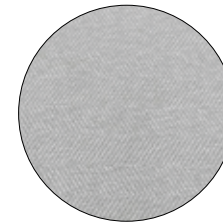
Blackened Steel Base, paired w/ Charcoal-Gray Herringbone Upholstery
Satin Brass Base, paired w/ Heather-Gray Herringbone Upholstery
COM & COL options available

Abrasion:

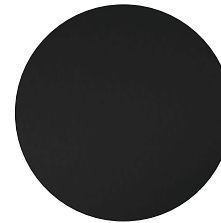
100,000 Double Rubs



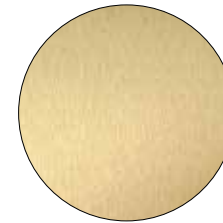
Charcoal-Gray
Herringbone



Heather-Gray
Herringbone



Blackened Steel



Satin Brass

GABRIEL SCOTT

EST. 2012

