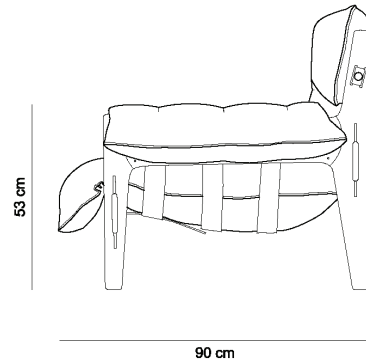
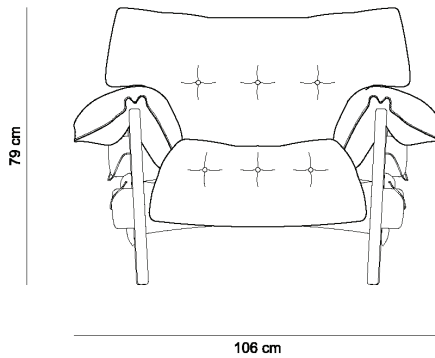
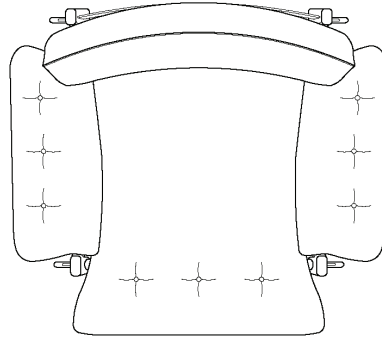


# MOLECA ARMCHAIR

## 1963

---



---

## PRODUCT INFO

### DIMENSIONS

---

- 108 x 980 x 79 h (cm)

### PRODUCT DESCRIPTION

---

- Solid wood frame
- Adjustable leather straps with lathed wooden buttons
- Over-sized cushion filled with silicon fibre, foam flakes and felt

---

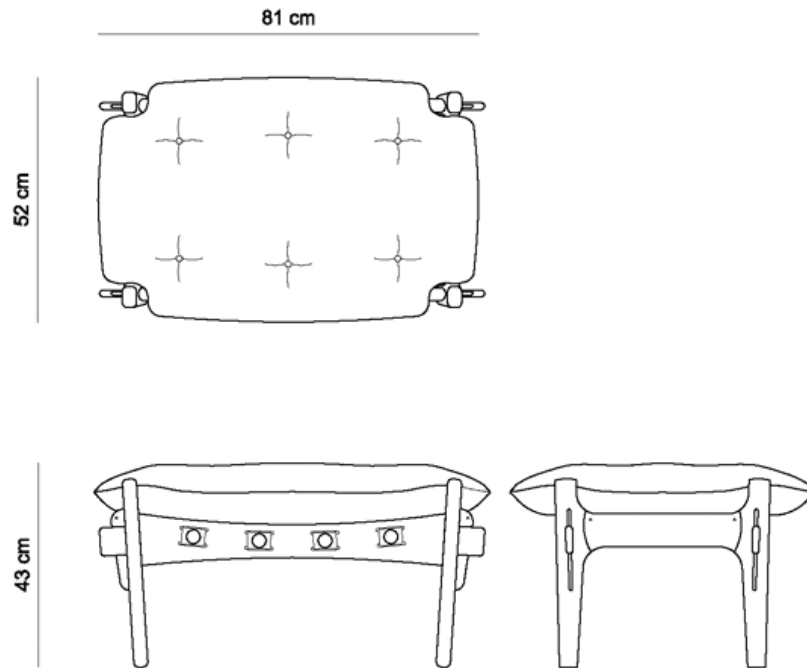
## INFO



"This Sergio Rodrigues furniture line is licensed to and commercialized exclusively by LinBrasil Ltda and is protected by patent laws and legal sanctions under both criminal and civil codes. Legal proceedings may be instituted against any parties breaching the rights of LinBrasil."

# MOLECA FOOTSTOOL 1963

---



## PRODUCT INFO

---

### DIMENSIONS

---

- 81 x 52 X 43 h (cm)

### PRODUCT DESCRIPTION

---

- Solid wood frame
- Adjustable leather straps with lathed wooden buttons
- Loose cushion filled with silicon fibre, foam flakes and felt

## INFO

---



"This Sergio Rodrigues furniture line is licensed to and commercialized exclusively by LinBrasil Ltda and is protected by patent laws and legal sanctions under both criminal and civil codes. Legal proceedings may be instituted against any parties breaching the rights of LinBrasil."