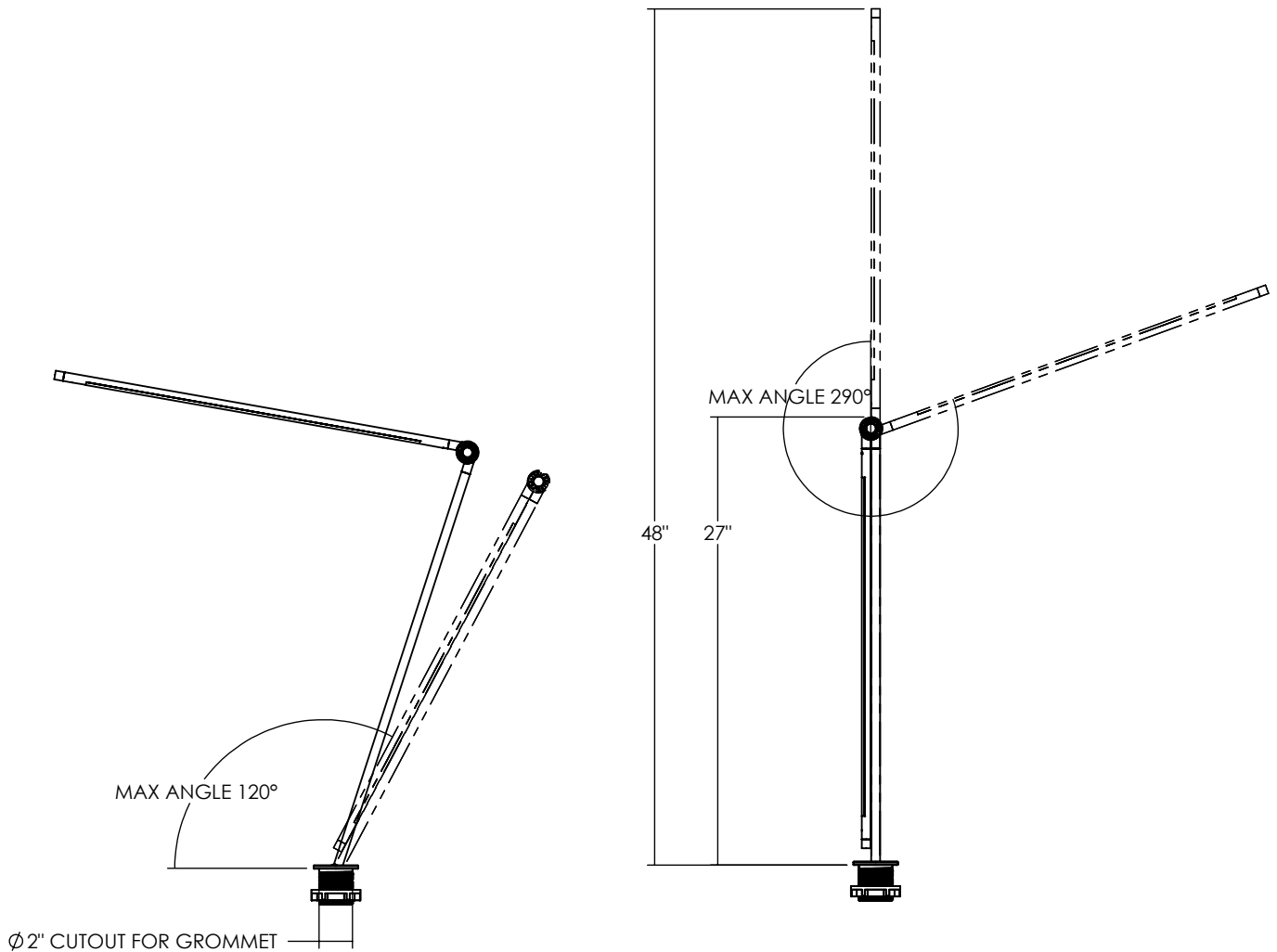


JUNIPER



THIN TASK LAMP T WITH DESK INSET JPR-THTG

OVERVIEW

Dimmable LED desk-mounted task lamp featuring a hinged arm and a freely rotating ball joint with a brass desk insert.

WEIGHT

2lbs

MATERIALS

PMMA, brass

FINISH OPTIONS

Black Oxide, Satin Brass, Satin Nickel

ILLUMINATION & POWER

0-730 LM, 3000K, 90CRI
Clear lens

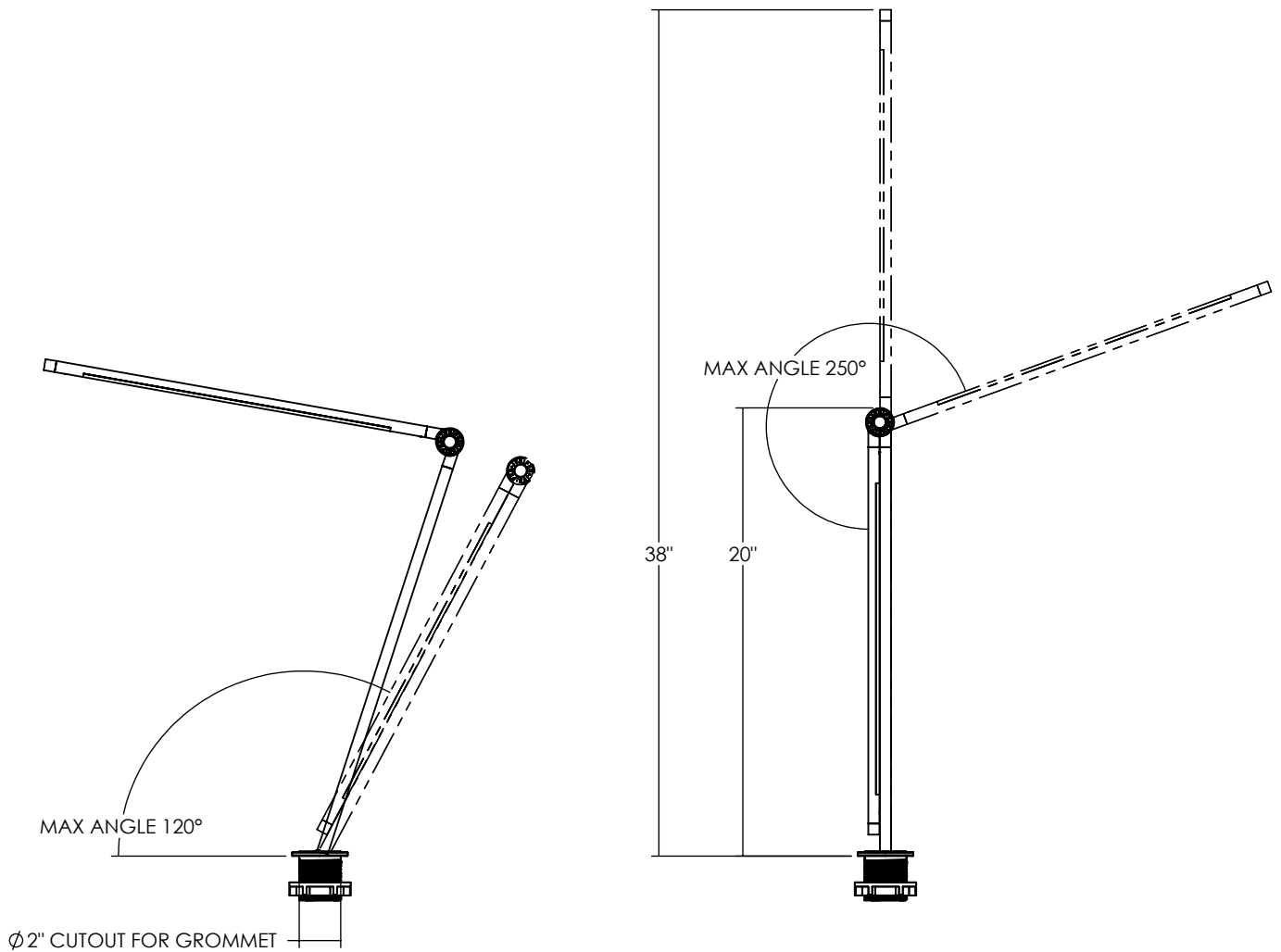
7W total

12V 1A wall plug with 5' braided cord and interchangeable international pins included

INSTALLATION

Ø 2" cutout for grommet
Min surface thickness: 1/4"
Max surface thickness: 1 1/2"

JUNIPER



THIN TASK LAMP S WITH DESK INSET JPR-THSG

OVERVIEW

Dimmable LED desk-mounted task lamp featuring a hinged arm and a freely rotating ball joint with brass desk insert.

WEIGHT

2lbs

MATERIALS

PMMA, brass

FINISH OPTIONS

Black Oxide, Satin Brass, Satin Nickel

ILLUMINATION & POWER

0-600 LM, 3000K, 90CRI
Clear lens

5.5W total

12V 1A wall plug with 5' braided cord and interchangeable international pins included

INSTALLATION

Ø2" cutout for grommet
Min surface thickness: 1/4"
Max surface thickness: 1 1/2"