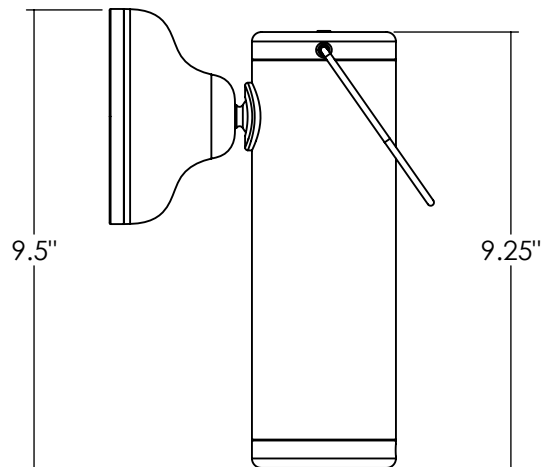
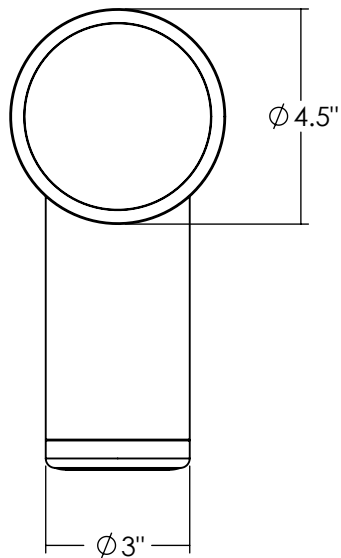
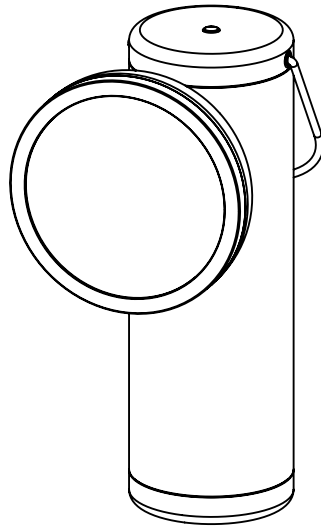


# JUNIPER



## M LAMP JPR-MLM2

### OVERVIEW

Dimmable, portable LED lamp featuring a 360° rotating head and rechargeable battery.

### WEIGHT

5 lbs

### MATERIALS

Acrylic, powder-coated high-grade aluminum

### FINISH OPTIONS

Glossy White, Matte Black, Chrome, Cooper

### ILLUMINATION & POWER

200 LM  
90CRI  
2700K

3W

Lithium iron phosphate battery  
2000 charge cycles  
8-70 hours per charge