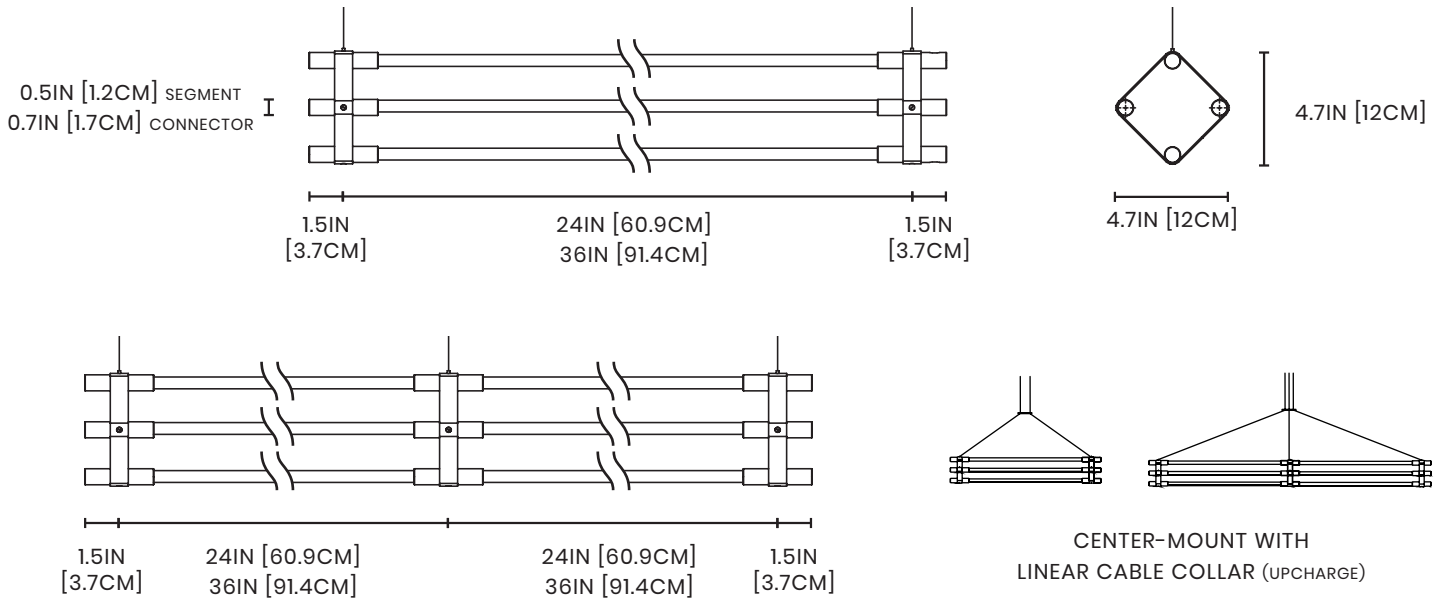
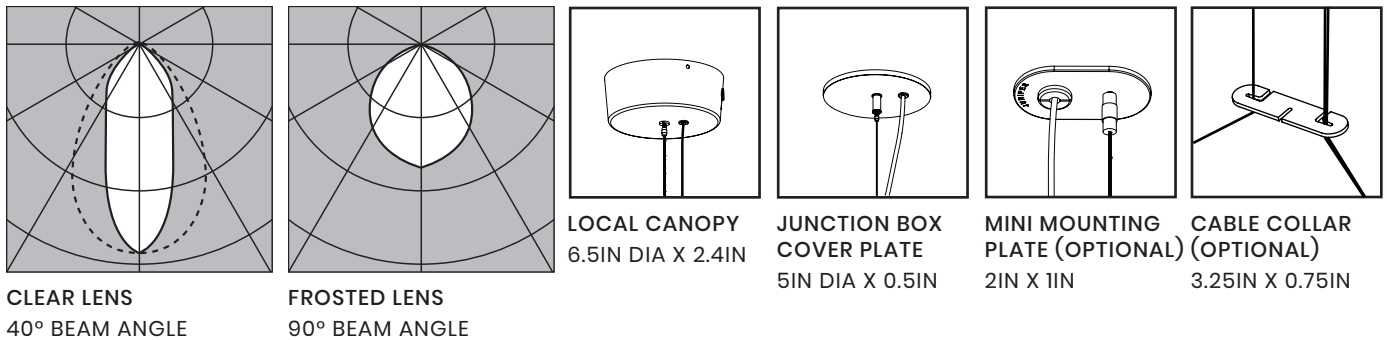


TECHNICAL | THIN Multiples Tetrad



24IN AND 36IN LIGHT SEGMENTS MAY BE COMBINED IN THE SAME FIXTURE.
STANDARD MAX LENGTH PER FIXTURE IS (2) 36" LIGHT SEGMENTS 75IN [190.5CM]
FOR LONGER RUNS, PLEASE CONTACT JUNIPER.



ILLUMINATION
90 CRI standard
2700K, 3000K, 3500K, 4000K options

24" segment 2400LM delivered/27.2W
36" segment 3680LM delivered/38.4W
90 LM/W with clear acrylic lens
50,000 hrs LED life L80

POWER
24VDC output Class 2 constant
voltage power supply
120VAC input voltage
Contact Juniper for alternate inputs

FINISHES
Satin Brass, Black Oxide, Satin Nickel

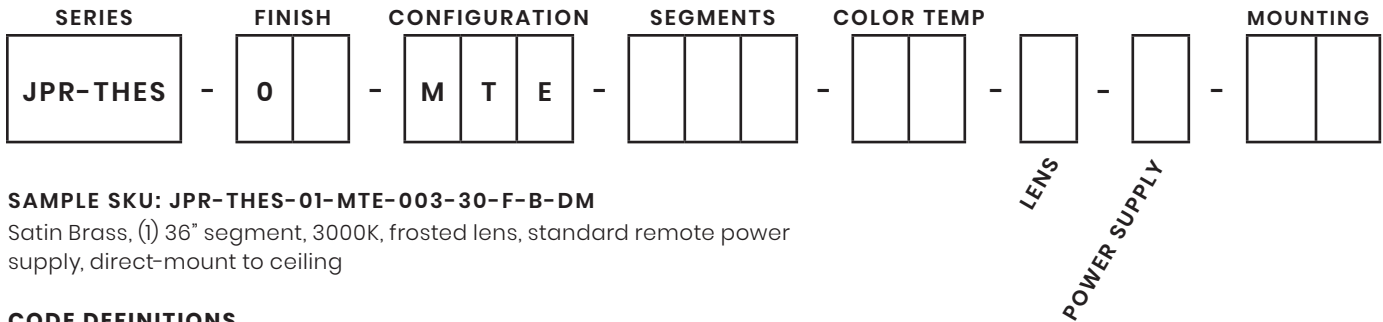
MATERIALS
Solid brass, PMMA

DIMMING
2-Wire/TRIAC/Forward Phase
0-10V
3-Wire
See Power Supply section for details
Contact Juniper for alternate
requirements

MOUNTING
10ft 1/16" aircraft cable, field
adjustable
16ft Clear-jacketed 22AWG co-axial
silver cord, field adjustable
Direct-mounting and center-
mounting with Linear Cable Collar
options available (for up to 2
connected segments)

SYSTEM RUN
Limited by power supply wattage only

BUILD A SPECIFICATION | THIN Multiples Tetrad



SAMPLE SKU: JPR-THES-01-MTE-003-30-F-B-DM
 Satin Brass, (i) 36" segment, 3000K, frosted lens, standard remote power supply, direct-mount to ceiling

CODE DEFINITIONS

FINISHES



01 Satin Brass **02** Black Oxide **03** Satin Nickel

SEGMENTS

- 0** No segment
- 2** 24IN segment - 1200LM delivered / 27.2W
- 3** 36IN segment - 1840LM delivered / 38.4W

Each digit represents a single segment, e.g. 000023 is (i) 24" segment and (i) 36" segment. Contact Juniper for custom segment lengths.

COLOR TEMPERATURE

- 27** 2700K
- 30** 3000K
- 35** 3500K
- 40** 4000K

LENS

- C** Clear - 40° beam angle
- F** Frosted - 90° beam angle

MOUNTING

- CX** Center-Mount to Canopy without Cable Collar
Includes canopy
- CC** Center-Mount to Canopy with Cable Collar (upcharge)
Includes canopy
- DM** Direct-Mount to Ceiling
Includes canopy for a single power cord with ceiling grippers for other mounting points

POWER SUPPLY - 24VDC CV OUTPUT

- A** Standard Local, 2-Wire/TRIAC/Forward-Phase
Input Voltage 120VAC, 240VAC
Output Wattage 40W, OR 60W
Includes Canopy in Matching Finish
- B** Standard Remote, 2-Wire/TRIAC/Forward-Phase
Input Voltage 120-277VAC (Universal)
Output Wattage 60W, OR 96W
Includes Canopy & Mini Mounting Plate in Matching Finish
- C** Standard Remote, 0-10V
Input Voltage 120-277VAC (Universal)
Output Wattage 60W, OR 96W
Includes Canopy & Mini Mounting Plate in Matching Finish
- D** Lutron Remote, 2-Wire/TRIAC/Forward-Phase
Input Voltage 120VAC
Output Wattage 40W
Includes Canopy & Mini Mounting Plate in Matching Finish
- E** Lutron Remote, 3-WIRE
Input Voltage 120-277VAC (Universal)
Output Wattage 40W, OR 96W (Ecosystem)
Includes Canopy & Mini Mounting Plate in Matching Finish

See Power Supply Guide for recommended dimmers.

Our team will determine correct wattages for power supplies based on chosen configuration. Contact Juniper for custom requirements or further power supply specifications.

Project	Type
Notes	