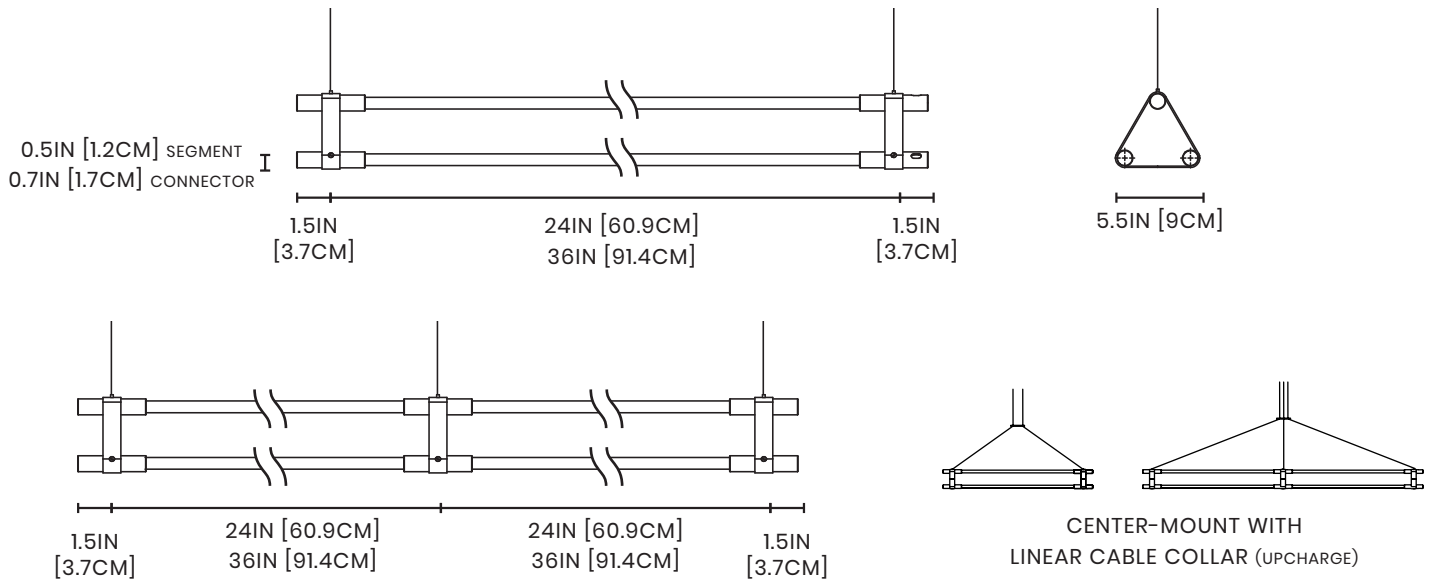


TECHNICAL | THIN Multiples Triad



24IN AND 36IN LIGHT SEGMENTS MAY BE COMBINED IN THE SAME FIXTURE.
 STANDARD MAX LENGTH PER FIXTURE IS (2) 36" LIGHT SEGMENTS 75IN [190.5CM]
 FOR LONGER RUNS, PLEASE CONTACT JUNIPER.

CLEAR LENS 40° BEAM ANGLE	FROSTED LENS 90° BEAM ANGLE	LOCAL CANOPY 6.5IN DIA X 2.4IN	JUNCTION BOX COVER PLATE 5IN DIA X 0.5IN	MINI MOUNTING PLATE (OPTIONAL) 2IN X 1IN	CABLE COLLAR (OPTIONAL) 3.25IN X 0.75IN

ILLUMINATION

90 CRI standard
 2700K, 3000K, 3500K, 4000K options

24" segment 1800LM delivered / 20.4W
36" segment 2760LM delivered / 28.8W
 90LM/W with clear acrylic lens
 50,000 hrs LED life L80

POWER

24VDC output Class 2 constant voltage power supply
 120VAC input voltage
 Contact Juniper for alternate inputs

FINISHES

Satin Brass, Black Oxide, Satin Nickel

MATERIALS

Solid brass, PMMA

DIMMING

2-Wire/TRIAC/Forward Phase
 0-10V
 3-Wire
 See Power Supply section for details
 Contact Juniper for alternate requirements

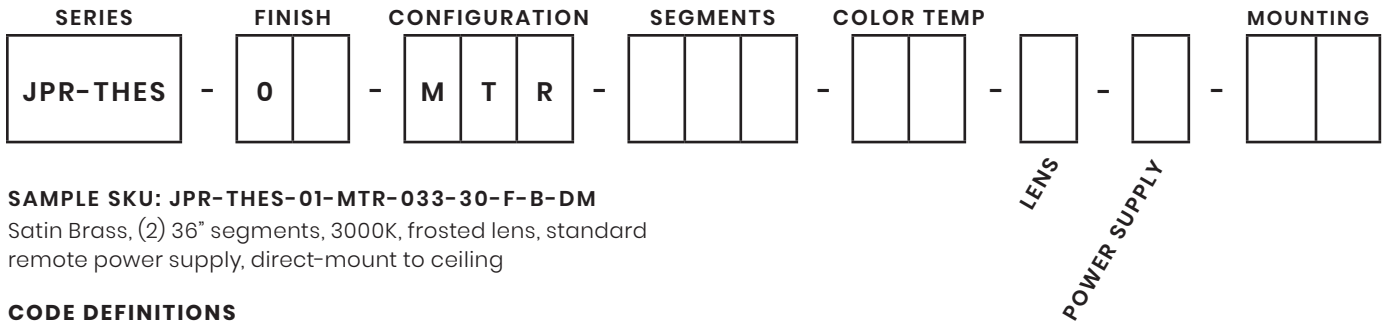
MOUNTING

10ft 1/16" aircraft cable, field adjustable
 16ft Clear-jacketed 22AWG co-axial silver cord, field adjustable
 Direct-mounting and center-mounting with Linear Cable Collar options available (for up to 2 connected segments)

SYSTEM RUN

Limited by power supply wattage only

BUILD A SPECIFICATION | THIN Multiples Triad



SAMPLE SKU: JPR-THES-01-MTR-033-30-F-B-DM
 Satin Brass, (2) 36" segments, 3000K, frosted lens, standard remote power supply, direct-mount to ceiling

CODE DEFINITIONS

FINISHES



01 Satin Brass **02** Black Oxide **03** Satin Nickel

SEGMENTS

- 0** No segment
- 2** 24IN segment - 1200LM delivered / 20.4W
- 3** 36IN segment - 1840LM delivered / 28.8W

Each digit represents a single segment, e.g. 000023 is (1) 24" segment and (1) 36" segment. Contact Juniper for custom segment lengths.

COLOR TEMPERATURE

- 27** 2700K
- 30** 3000K
- 35** 3500K
- 40** 4000K

LENS

- C** Clear - 40° beam angle
- F** Frosted - 90° beam angle

MOUNTING

- CX** Center-Mount to Canopy without Cable Collar
Includes canopy
- CC** Center-Mount to Canopy with Cable Collar (upcharge)
Includes canopy
- DM** Direct-Mount to Ceiling
Includes canopy for a single power cord with ceiling grippers for other mounting points

POWER SUPPLY - 24VDC CV OUTPUT

- A** Standard Local, 2-Wire/TRIAC/Forward-Phase
Input Voltage 120VAC, 240VAC
Output Wattage 40W, OR 60W
 Includes Canopy in Matching Finish
- B** Standard Remote, 2-Wire/TRIAC/Forward-Phase
Input Voltage 120-277VAC (Universal)
Output Wattage 60W, OR 96W
 Includes Canopy & Mini Mounting Plate in Matching Finish
- C** Standard Remote, 0-10V
Input Voltage 120-277VAC (Universal)
Output Wattage 60W, OR 96W
 Includes Canopy & Mini Mounting Plate in Matching Finish
- D** Lutron Remote, 2-Wire/TRIAC/Forward-Phase
Input Voltage 120VAC
Output Wattage 40W
 Includes Canopy & Mini Mounting Plate in Matching Finish
- E** Lutron Remote, 3-WIRE
Input Voltage 120-277VAC (Universal)
Output Wattage 40W, OR 96W (Ecosystem)
 Includes Canopy & Mini Mounting Plate in Matching Finish

See Power Supply Guide for recommended dimmers.

Our team will determine correct wattages for power supplies based on chosen configuration. Contact Juniper for custom requirements or further power supply specifications.

Project	Type
Notes	