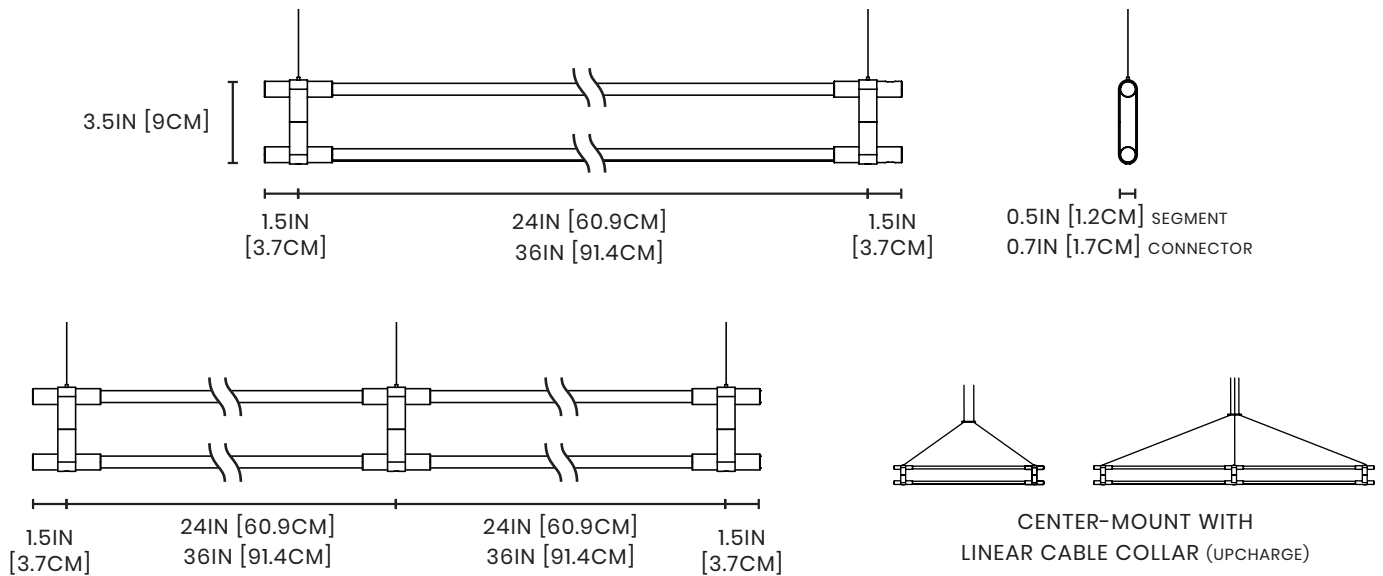
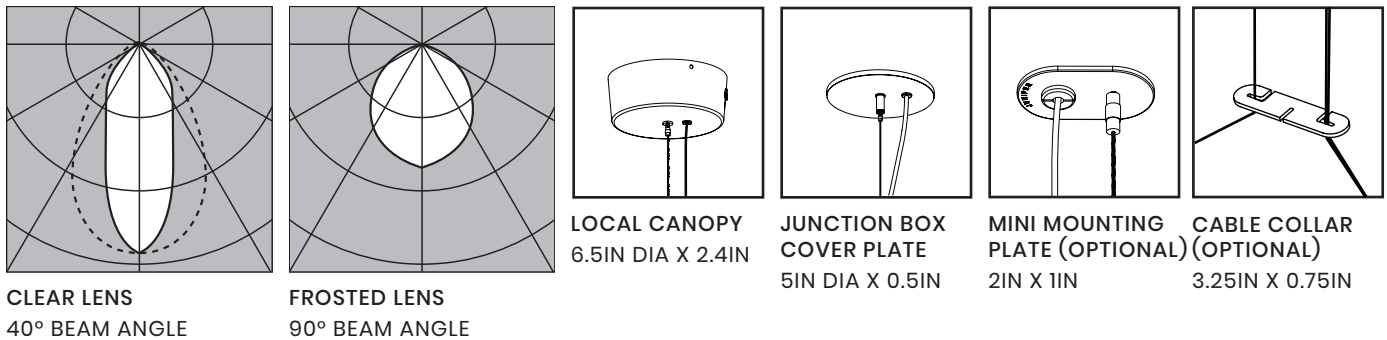


# TECHNICAL | THIN Multiples Dyad (Vertical)

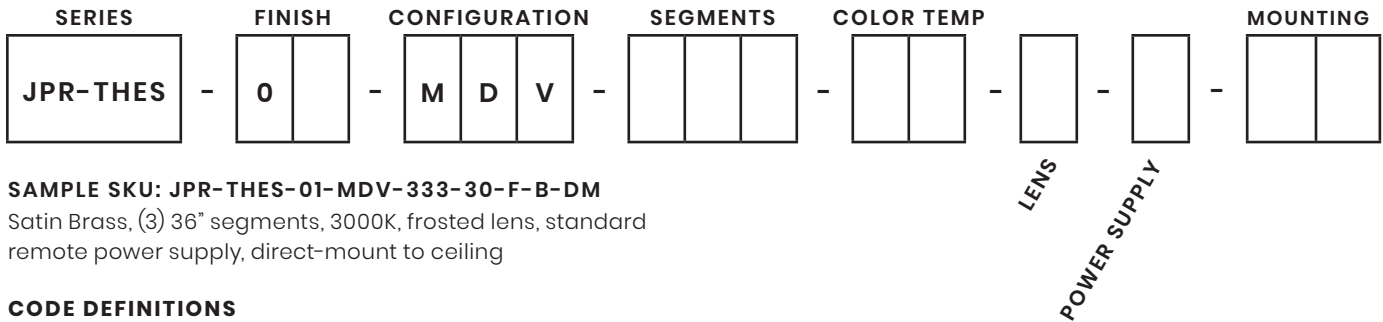


24IN AND 36IN LIGHT SEGMENTS MAY BE COMBINED IN THE SAME FIXTURE  
 STANDARD MAX LENGTH PER FIXTURE IS (3) 36" LIGHT SEGMENTS 110.8IN [281.5CM]  
 FOR LONGER RUNS, PLEASE CONTACT JUNIPER



<p><b>ILLUMINATION</b></p> <p>90 CRI standard                  2700K, 3000K, 3500K, 4000K options</p> <p><b>24" segment</b> 1200LM delivered / 13.6W  <b>36" segment</b> 1840LM delivered / 19.2W                  90LM/W with clear acrylic lens                  50,000 hrs LED life L80</p>	<p><b>FINISHES</b></p> <p>Satin Brass, Black Oxide, Satin Nickel</p> <p><b>MATERIALS</b></p> <p>Solid brass, PMMA</p> <p><b>DIMMING</b></p> <p>2-Wire/TRIAC/Forward Phase                  0-10V                  3-Wire                  See Power Supply section for details                  Contact Juniper for alternate requirements</p>	<p><b>MOUNTING</b></p> <p>10ft 1/16" aircraft cable, field adjustable                  16ft Clear-jacketed 22AWG co-axial silver cord, field adjustable                  Direct-mounting and center-mounting with Linear Cable Collar options available (for up to 2 connected segments)</p> <p><b>SYSTEM RUN</b></p> <p>Limited by power supply wattage only</p>
<p><b>POWER</b></p> <p>24VDC output Class 2 constant voltage power supply                  120VAC input voltage                  Contact Juniper for alternate inputs</p>		

## BUILD A SPECIFICATION | THIN Multiples Dyad (Vertical)



**SAMPLE SKU: JPR-THES-01-MDV-333-30-F-B-DM**  
 Satin Brass, (3) 36" segments, 3000K, frosted lens, standard remote power supply, direct-mount to ceiling

### CODE DEFINITIONS

#### FINISHES



**01** Satin Brass    **02** Black Oxide    **03** Satin Nickel

#### SEGMENTS

- 0** No segment
- 2** 24IN segment - 1200LM delivered / 13.6W
- 3** 36IN segment - 1840LM delivered / 19.2W

Each digit represents a single segment, e.g. 000023 is (i) 24" segment and (i) 36" segment. Contact Juniper for custom segment lengths.

#### COLOR TEMPERATURE

- 27** 2700K
- 30** 3000K
- 35** 3500K
- 40** 4000K

#### LENS

- C** Clear - 40° beam angle
- F** Frosted - 90° beam angle

#### MOUNTING

- CX** Center-Mount to Canopy without Cable Collar  
Includes canopy
- CC** Center-Mount to Canopy with Cable Collar (upcharge)  
Includes canopy
- DM** Direct-Mount to Ceiling  
Includes canopy for a single power cord with ceiling grippers for other mounting points

#### POWER SUPPLY - 24VDC CV OUTPUT

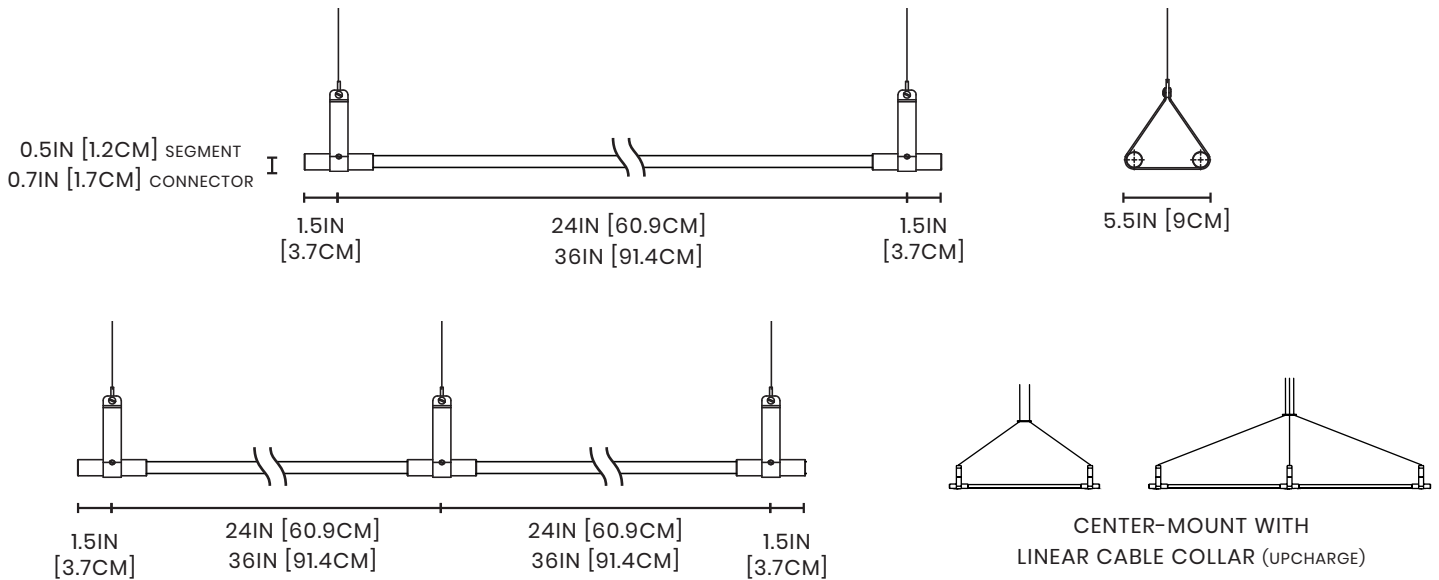
- A** Standard Local, 2-Wire/TRIAC/Forward-Phase  
**Input Voltage** 120VAC, 240VAC  
**Output Wattage** 20W, 40W, OR 60W  
 Includes Canopy in Matching Finish
- B** Standard Remote, 2-Wire/TRIAC/Forward-Phase  
**Input Voltage** 120-277VAC (Universal)  
**Output Wattage** 30W, 60W, OR 96W  
 Includes Canopy & Mini Mounting Plate in Matching Finish
- C** Standard Remote, 0-10V  
**Input Voltage** 120-277VAC (Universal)  
**Output Wattage** 30W, 60W, OR 96W  
 Includes Canopy & Mini Mounting Plate in Matching Finish
- D** Lutron Remote, 2-Wire/TRIAC/Forward-Phase  
**Input Voltage** 120VAC  
**Output Wattage** 40W  
 Includes Canopy & Mini Mounting Plate in Matching Finish
- E** Lutron Remote, 3-WIRE  
**Input Voltage** 120-277VAC (Universal)  
**Output Wattage** 40W, OR 96W (Ecosystem)  
 Includes Canopy & Mini Mounting Plate in Matching Finish

See Power Supply Guide for recommended dimmers.

Our team will determine correct wattages for power supplies based on chosen configuration. Contact Juniper for custom requirements or further power supply specifications.

Project	Type
Notes	

# TECHNICAL | THIN Multiples Dyad (Horizontal)



24IN AND 36IN LIGHT SEGMENTS MAY BE COMBINED IN THE SAME FIXTURE  
STANDARD MAX LENGTH PER FIXTURE IS (3) 36" LIGHT SEGMENTS 110.8IN [281.5CM]  
FOR LONGER RUNS, PLEASE CONTACT JUNIPER

<b>CLEAR LENS</b> 40° BEAM ANGLE	<b>FROSTED LENS</b> 90° BEAM ANGLE	<b>LOCAL CANOPY</b> 6.5IN DIA X 2.4IN	<b>JUNCTION BOX COVER PLATE</b> 5IN DIA X 0.5IN	<b>MINI MOUNTING PLATE (OPTIONAL)</b> 2IN X 1IN	<b>CABLE COLLAR (OPTIONAL)</b> 3.25IN X 0.75IN

**ILLUMINATION**

90 CRI standard  
2700K, 3000K, 3500K, 4000K options

**24" segment** 1200LM delivered / 13.6W  
**36" segment** 1840LM delivered / 19.2W  
90 LM/W with clear acrylic lens  
50,000 hrs LED life L80

**POWER**

24VDC output Class 2 constant voltage power supply  
120VAC input voltage  
Contact Juniper for alternate inputs

**FINISHES**

Satin Brass, Black Oxide, Satin Nickel

**MATERIALS**

Solid brass, PMMA

**DIMMING**

2-Wire/TRIAC/Forward Phase  
0-10V  
3-Wire  
See Power Supply section for details  
Contact Juniper for alternate requirements

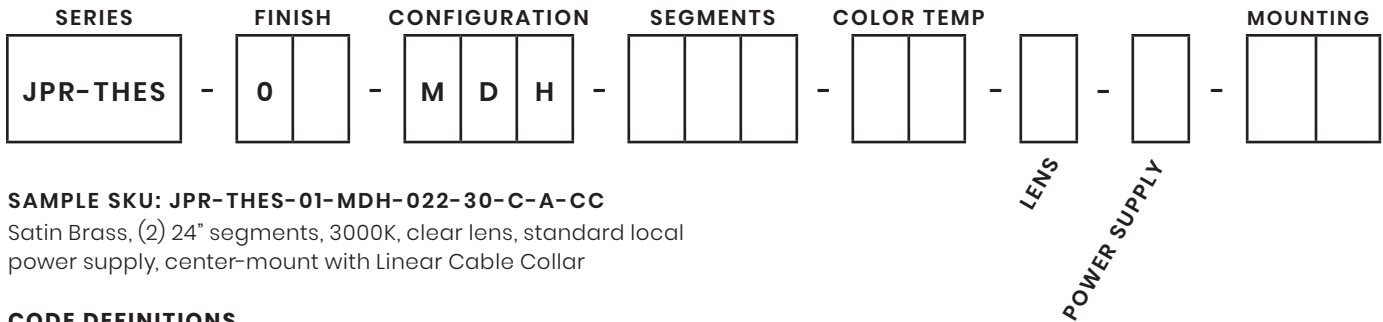
**MOUNTING**

10ft 1/16" aircraft cable, field adjustable  
16ft Clear-jacketed 22AWG co-axial silver cord, field adjustable  
Direct-mounting and center-mounting with Linear Cable Collar options available (for up to 2 connected segments)

**SYSTEM RUN**

Limited by power supply wattage only

# BUILD A SPECIFICATION | THIN Multiples Dyad (Horizontal)



**SAMPLE SKU: JPR-THES-01-MDH-022-30-C-A-CC**  
 Satin Brass, (2) 24" segments, 3000K, clear lens, standard local power supply, center-mount with Linear Cable Collar

**CODE DEFINITIONS**

**FINISHES**



**01** Satin Brass    **02** Black Oxide    **03** Satin Nickel

**SEGMENTS**

- 0** No segment
- 2** 24IN segment - 1200LM delivered / 13.6W
- 3** 36IN segment - 1840LM delivered / 19.2W

Each digit represents a single segment, e.g. 000023 is (i) 24" segment and (i) 36" segment. Contact Juniper for custom segment lengths.

**COLOR TEMPERATURE**

- 27** 2700K
- 30** 3000K
- 35** 3500K
- 40** 4000K

**LENS**

- C** Clear - 40° beam angle
- F** Frosted - 90° beam angle

**MOUNTING**

- CX** Center-Mount to Canopy without Cable Collar  
Includes canopy
- CC** Center-Mount to Canopy with Cable Collar (upcharge)  
Includes canopy
- DM** Direct-Mount to Ceiling  
Includes canopy for a single power cord with ceiling grippers for other mounting points

**POWER SUPPLY - 24VDC CV OUTPUT**

- A** Standard Local, 2-Wire/TRIAC/Forward-Phase  
**Input Voltage** 120VAC, 240VAC  
**Output Wattage** 20W, 40W, OR 60W  
Includes Canopy in Matching Finish
- B** Standard Remote, 2-Wire/TRIAC/Forward-Phase  
**Input Voltage** 120-277VAC (Universal)  
**Output Wattage** 30W, 60W, OR 96W  
Includes Canopy & Mini Mounting Plate in Matching Finish
- C** Standard Remote, 0-10V  
**Input Voltage** 120-277VAC (Universal)  
**Output Wattage** 30W, 60W, OR 96W  
Includes Canopy & Mini Mounting Plate in Matching Finish
- D** Lutron Remote, 2-Wire/TRIAC/Forward-Phase  
**Input Voltage** 120VAC  
**Output Wattage** 40W  
Includes Canopy & Mini Mounting Plate in Matching Finish
- E** Lutron Remote, 3-WIRE  
**Input Voltage** 120-277VAC (Universal)  
**Output Wattage** 40W, OR 96W (Ecosystem)  
Includes Canopy & Mini Mounting Plate in Matching Finish

See Power Supply Guide for recommended dimmers.

Our team will determine correct wattages for power supplies based on chosen configuration. Contact Juniper for custom requirements or further power supply specifications.

Project	Type
Notes	