

Hartau Series

Hartau Wall

The Hartau series brings together classical light fittings that are, at first glance, astonishing in their line and detail. They have been handmade in Canada using frosted glass, brass and painted aluminium.

The lampshades are the signature of this collection: with their two openings they offer both direct and indirect light to the wall or the ceiling. Each metal part of the Hartau collection is precision made in Quebec, Canada.

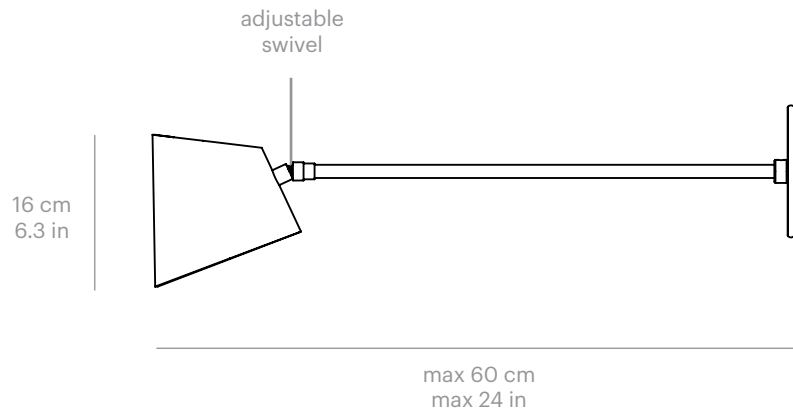
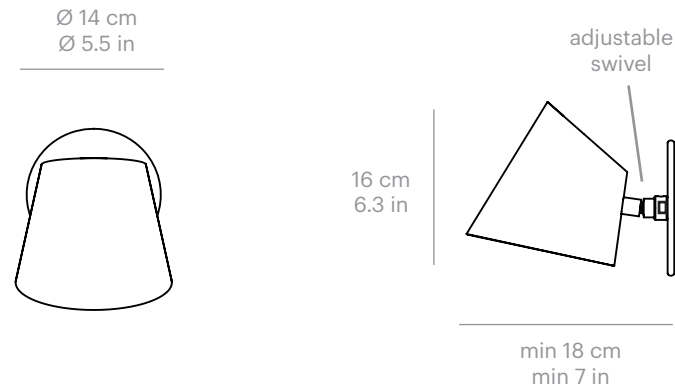
Design by Alexandre Joncas



A. Joncas

HARTAU wall

Design by Alexandre Joncas



Lamping Specifications

Input voltage : 120V or 220-240V
 Power input : 5W
 Technology : G9 LED bulb (included)
 CRI : >90
 CCT : 2700K (Warm white)
 Lumen source : 350 lm

Product Weight

0.5 kg / 1.4 lbs

Length

A	B	C	D
18 cm / 7 in	30 cm / 12 in	45 cm / 18 in	60 cm / 24 in

**custom length available upon request*

Certifications

IP20  

Materials

- | | |
|-----------------|-------------------------------------|
| ● Matt black | ● Swivel & details : Polished brass |
| ○ Matt white | ● Chrome plated |
| ● Grey gloss | ● Black oxidized |
| ● Chrome plated | |
| ● Custom | |

Order code	Series	Model	Finish	Details	Voltage	Height	QTY
Generator	HA Hartau	WA Wall	BL Matt black	BR Polished brass	1 120V	A 18 cm	.
	.	.	WH Matt white	OX Black oxidized	2 220-240V	B 30 cm	.
	.	.	WG Grey gloss	CH Chrome	.	C 45 cm	.
	.	.	CH Chrome	.	.	D 60 cm	.
	.	.	ZZ Custom	.	.	Z Custom	.
Order code :	HA	WA	—	—	—		—