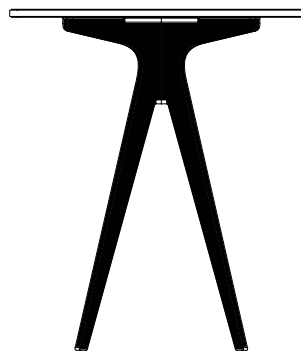


---

**DEAN**  
Round Side Table

---



GABRIEL SCOTT  
EST 2012



# DEAN

## Round Side Table

1/3

Inspired by silhouettes of mid-century modern design, DEAN tables feature clear or smoked glass tops which showcase the sculptural quality of the contrasted hardware below.

Light and elegant in appearance, the stylish x-base is available in black steel with brass hardware, all brass, or all copper options.

All Gabriel Scott pieces are handmade in Canada.



---

GABRIEL SCOTT

EST. 2012



# DEAN

Round Side Table

2/3



GABRIEL SCOTT

EST. 2012



# DEAN

## Round Side Table

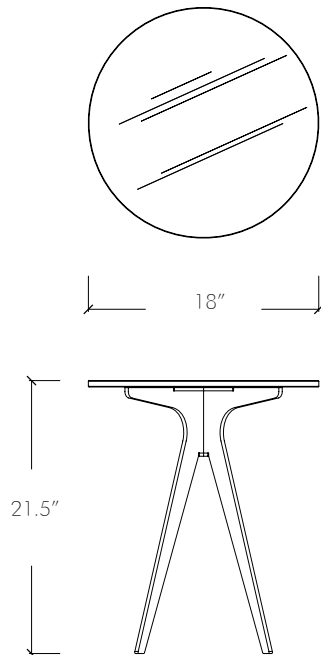
3/3

### Spec sheet

Product name: Dean Round Side Table

Standard Leadtime: 8 - 10 weeks

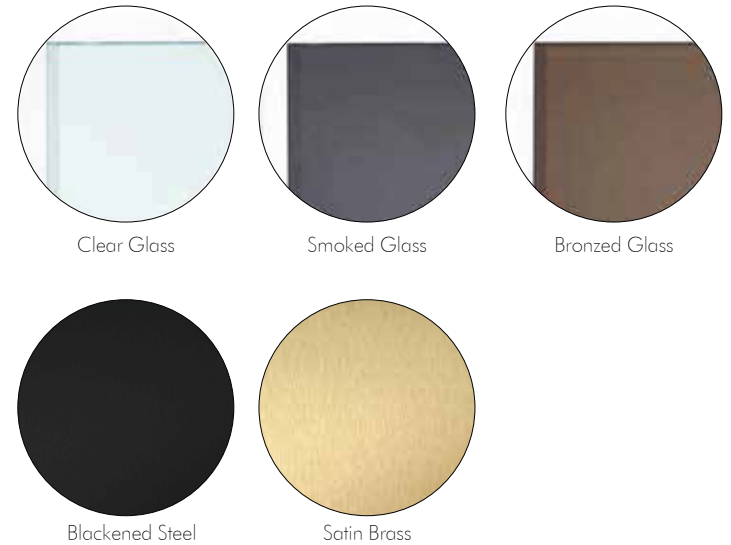
Dimensions: 18" Dia x 21.5" H  
Tempered glass top: 1/2"



### Standard Finishes

Standard Base Finish Options:  
**Blackened Steel Base / Satin Brass Hardware**  
**Satin Brass Base / Satin Brass Hardware**  
Custom-finishes may be available upon request

Glass Options:  
**Clear**  
**Smoked**  
**Bronzed**



GABRIEL SCOTT

EST. 2012

