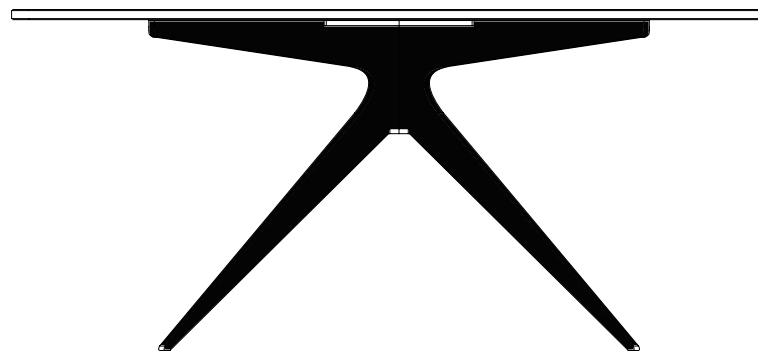

DEAN
Round Coffee Table



GABRIEL SCOTT
EST 2012



DEAN

Round Coffee Table

1/3

Inspired by silhouettes of mid-century modern design, DEAN tables feature clear or smoked glass tops which showcase the sculptural quality of the contrasted hardware below.

Light and elegant in appearance, the stylish x-base is available in black steel with brass hardware, all brass, or all copper options.

All Gabriel Scott pieces are handmade in Canada.



GABRIEL SCOTT

EST 2012



DEAN

Round Coffee Table

2/3



GABRIEL SCOTT

EST. 2012



DEAN

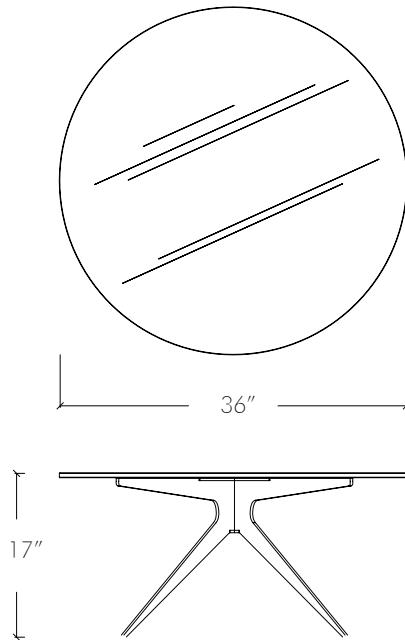
Round Coffee Table

3/3

Spec sheet

Product name: Dean Round Coffee Table

Standard Leadtime: 8 - 10 weeks
Dimensions: 36" Dia x 17" H Tempered
glass top: 1/2"



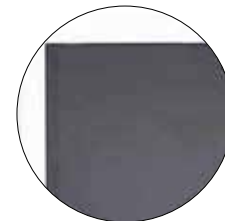
Standard Finishes

Standard Base Finish Options:
Blackened Steel Base / Satin Brass Hardware
Satin Brass Base / Satin Brass Hardware
Custom-finishes may be available upon request

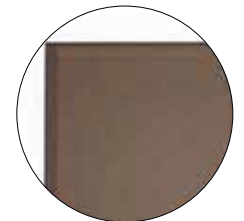
Glass Options:
Clear
Smoked
Bronzed



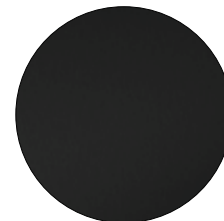
Clear Glass



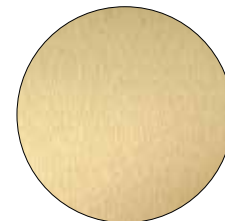
Smoked Glass



Bronzed Glass



Blackened Steel



Satin Brass

