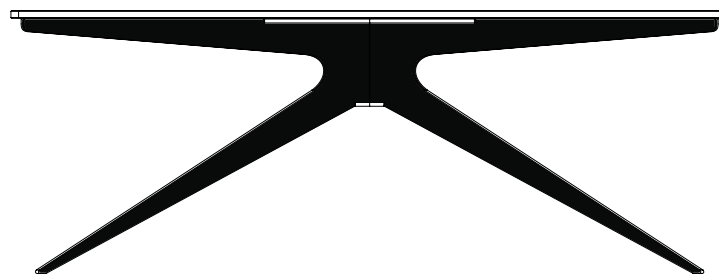

DEAN
Rectangular Coffee Table



GABRIEL SCOTT
EST 2012



DEAN

Rectangular Coffee Table

1/3

Inspired by silhouettes of mid-century modern design, DEAN tables feature clear or smoked glass tops which showcase the sculptural quality of the contrasted hardware below.

Light and elegant in appearance, the stylish x-base is available in black steel with brass hardware, all brass, or all copper options.

All Gabriel Scott pieces are handmade in Canada.



GABRIEL SCOTT

EST. 2012



DEAN

Rectangular Coffee Table

2/3



GABRIEL SCOTT

EST. 2012



DEAN

Rectangular Coffee Table

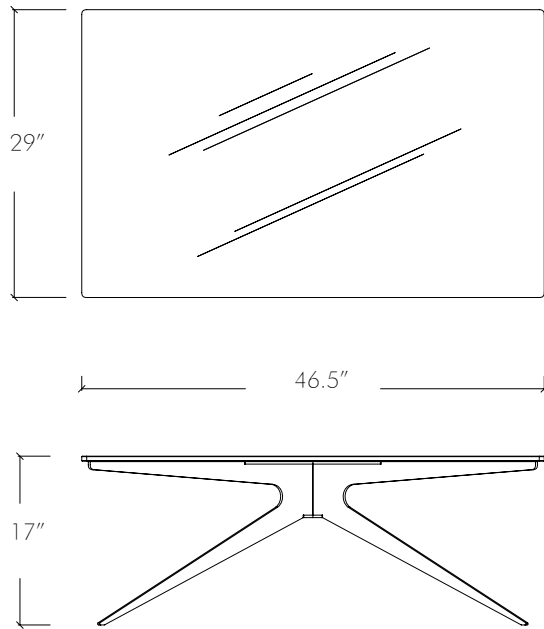
3/3

Spec sheet

Product name: Dean Rectangular Coffee Table

Standard Leadtime: 8 - 10 weeks

Dimensions: 29" x 46.5" x 17" H Tempered glass top: 1/2"



Standard Finishes

Standard Base Finish Options:

Blackened Steel Base / Satin Brass Hardware

Satin Brass Base / Satin Brass Hardware

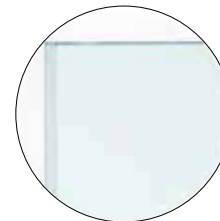
Custom-finishes may be available upon request

Glass Options:

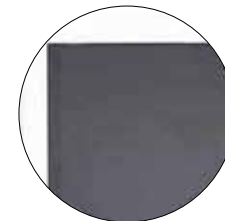
Clear

Smoked

Bronzed



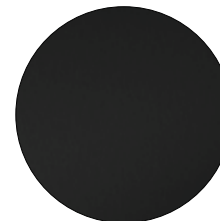
Clear Glass



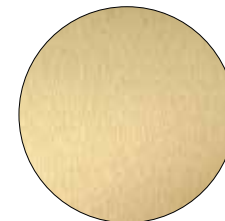
Smoked Glass



Bronzed Glass



Blackened Steel



Satin Brass

GABRIEL SCOTT

EST. 2012

