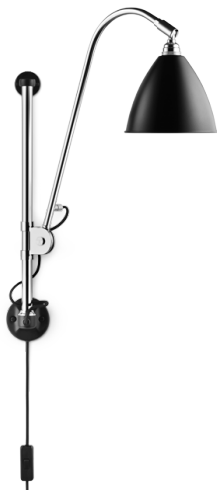


## BESTLITE BL5 // WALL LAMP, CORD WITH SWITCH, EU MODEL

Designed by Robert Dudley Best

### PRODUCT



Item no.: 001-0510X  
+ style code

### DESCRIPTION

Bestlite has been in continuous production since 1930. Robert Dudley Best created Bestlite design. He was highly influenced by the Bauhaus. In the past 80 years, people appreciated the lamps and it decorates many homes, hotels and restaurants worldwide. Loved by architects, designers and design aficionados throughout its 80-year history, today, Bestlite enjoys global iconic status.

### VERSION - BESTLITE WALL LAMP BL5

Shade and base: Black, White or Off-White  
Tube and arm: Chrome

RAL codes are indicative.

- Fabric wire - Black:
- Black / White inside // RAL 9004 / RAL 9003 // Gloss level 20 / Gloss level 20
- Fabric wire - Off-White:
- Off-White / White inside // RAL 1015 / RAL 9003 // Gloss level 20 / Gloss level 20
- Fabric wire - White:
- White / White inside // RAL 9003 / RAL 9003 // Gloss level 20 / Gloss level 20

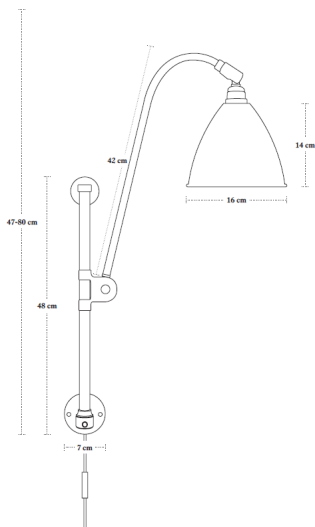
Please contact us for other colours or finishes.

### VERSION

Order item - look for part number in the pricelist.

Series contains the following:

**BL5, BL6, BL7, BL10**



### COLOURS



### FACTS

#### MEASUREMENT - L X W X H MM

Lamp height: 470-800 mm  
Tube length: 480 mm  
Shade height: 140 mm  
Shade diameter: Ø160 mm  
Cord - total length w/sw: App. 2400 mm  
Cord - exposed out of lamp: App. 2000 mm

#### WEIGHT ITEM - LAMP INCL. WIRE

1323 g

#### PACKAGING TYPE

White cardboard box w/ 5ply corrugated

#### PACKAGING MEASUREMENT - L X W X H CM

L:39 x W:61,5 x H:26 cm

#### WEIGHT PACKAGING - MATERIAL TYPE

- Paper Egg crate: 800 g
- Bestlite key: 18 g
- PE polybag: 1 g
- Screws: 4,5 g
- PE polybag: 60g
- Cardboard outside: 800 g
- Cardboard top: 84 g

#### WEIGHT PACKAGING - TOTAL

3200 g

#### NUMBER OF PARCELS

1 pcs.

#### LIGHT SOURCE

- Socket: E14 base
- Recommended light source: *All fluorescens light bulbs*
- Recommended wattage: 9 W ~ (40 WATT incandescent bulbs)
- Max wattage: 13 W

#### - Recommended light source: *Halogen light bulb*

- Recommended wattage: 28 W ~ (40 WATT incandescent bulbs)
- Max wattage: 28 W

- All lamps can be fitted with a dimmer.  
Please contact your local electrician.

- Lightbulb not included

## PRODUCT



Item no.: 001-0513X  
+ style code

**Don't polish the brass**

## DESCRIPTION

Bestlite has been in continuous production since 1930. Robert Dudley Best created Bestlite design. He was highly influenced by the Bauhaus. In the past 80 years, people appreciated the lamps and it decorates many homes, hotels and restaurants worldwide. Loved by architects, designers and design aficionados throughout its 80-year history, today, Bestlite enjoys global iconic status.

### VERSION - BESTLITE WALL LAMP BL5

Shade: Charcoalblack, Matt-White or Grey  
Tube and arm: Brass with lacquered surface

Shade and base: Brass with lacquered surface  
Tube and arm: Brass with lacquered surface

RAL codes are indicative.

- Fabric wire - Black:
- Charcoal black/Brass / White inside // RAL 9011 / RAL 9003 // Gloss level 20 / Gloss level 20
- Grey w/Brass / White inside // RAL 2604005 / RAL 9003 // Gloss level 30 / Gloss level 20
- Brass w/Brass / White inside // - / RAL 9003 // - / Gloss level 20

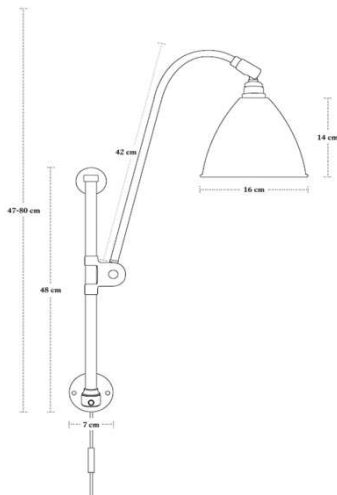
- Fabric wire - Off-White:
- Matt-White w/Brass / White inside // RAL 9003 / RAL 9003 // Gloss level 20 / Gloss level 20

## VERSION

Order item - look for part number in the pricelist.

Series contains the following:

**BL5, BL6, BL7, BL10**



## COLOURS



// Charcoal black / Brass



// Grey / Brass



// Matt-White / Brass



// All Brass

## FACTS

### MEASUREMENT - L X W X H MM

Lamp height: 470-800 mm  
Tube length: 480 mm  
Shade height: 140 mm  
Shade diameter: Ø160 mm  
Cord - total length w/sw: App. 2400 mm  
Cord - exposed out of lamp: App. 2000 mm

WEIGHT ITEM - LAMP INCL. WIRE  
1323 g

### PACKAGING TYPE

White cardboard box w/ 5ply corrugated

### PACKAGING MEASUREMENT - L X W X H CM

L:39 x W:61,5 x H:26 cm

### WEIGHT PACKAGING - MATERIAL TYPE

- Paper Egg crate: 800 g
- Bestlite key: 18 g
- PE polybag: 1 g
- Screws: 4,5 g
- PE polybag: 60g
- Cardboard outside: 800 g
- Cardboard top: 84 g

### WEIGHT PACKAGING - TOTAL

3200 g

### NUMBER OF PARCELS

1 pcs.

### LIGHT SOURCE

- Socket: E14 base
- Recommended light source: *All fluorescens light bulbs*
- Recommended wattage: 9 W = (40 WATT incandescent bulbs)
- Max wattage: 13 W

- Recommended light source: *Halogen light bulb*
- Recommended wattage: 28 W = (40 WATT incandescent bulbs)
- Max wattage: 28 W

- All lamps can be fitted with a dimmer.  
Please contact your local electrician.

- Lightbulb not included

Designed by Robert Dudley Best

**CLEANING AND MAINTENANCE**

Use a soft damp cloth when cleaning your Bestlite lamp. Do not use household cleaners.

**ACCESSORIES**

Item no.: 001-99058A plug EU

**ENVIRONMENT**

-

**TESTS**

-

**CERTIFICATION AND LABELS**

CE-CERTIFIED

STANDARD - (\* = Standard for each country/region)

STOCK - BL5\*  
Cord with switch, 2 pin plug

- Euro plug: Type C, 2 PIN, 2.5 amp
- Euro voltage: 230 V
- Frequency: 50 Hz
- Supply voltage: AC power -
- Normally Closed IP20



Class II / Double insulated

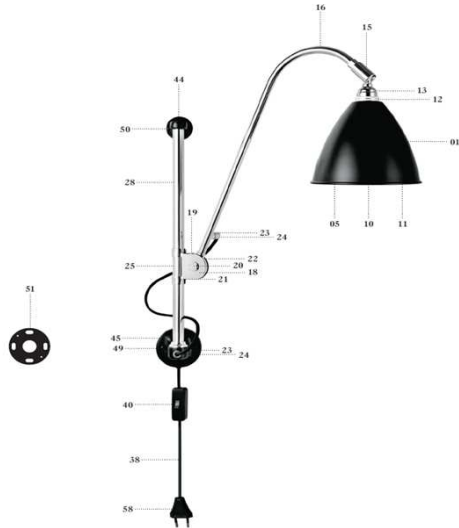


CE-Mark



Luminaires accepted for mounting on a flammable base

CE-CERTIFIED



**KOMPONENTS**

Item no.: 001-0513X

- 01 // Shade
- 05 // Lamp holder
- 10 // Insulating ring
- 11 // Internal shade ring
- 12 // External shade ring
- 13 // Lamp holder cover
- 15 // Universal joint
- 16 // Bestlite arm
- 18 // Bestlite "clip"
- 19 // Bestlite nut
- 20 // Bestlite bolt
- 21 // Tension spring
- 22 // Fibre washer
- 23 // Cord grip
- 24 // Cord grip cover
- 25 // Acetate
- 38 // Textile covered cord
- 40 // Switch
- 44 // Top bracket
- 45 // Wall bracket
- 49 // Screw 9x19 mm
- 50 // Screw 6x36 mm
- 51 // Mounting plate Ø7 cm
- 58 // Plug

**MATERIAL**

Shade: Charcoalblack, White or Grey  
Tube and arm: Brass with lacquered surface  
Textile covered cord

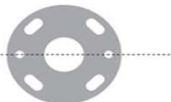
Shade and base: Brass with lacquered surface  
Tube and arm: Brass with lacquered surface  
Textile covered cord

**INSTALLATION INSTRUCTIONS**

The Bestlite key:

It's a practical tool that enables you to fasten the lamp arm. Simply use it like a screwdriver in the slot in the Bestlite nut.

3.3 handle for position  
of an object, position and use directly for use on your wall for accurate placing of the hole.  
Mark over the dotted line.



**Technical information:**

Light source: E14 E27 incandescent or LED halogen bulb.  
Not power or other energy-saving lamps.  
This lamp is not approved for outdoor use or use in damp/wet rooms.

**Some advice on cleaning your Bestlite:**

**Powerful coated parts - Base, bracket and shade:**  
Wipe the parts with a damp cloth soaked in warm water and a bit of mild detergent.

**Chrome plated parts:**

Wipe the lamp with a damp cloth and water dry by being soft.

If the surface is scratched or scratched, please contact us or other Bestlite.

Use only soft cloth for wiping and polishing, never oranges or other acid.

Do not use chlorine household cleaners.

Do not use acidic or alkaline cleaning products, glass cleaner or household products.

BESTLITE - GUBI A/S Bredgade 74, DK-2100 Copenhagen, Denmark - www.bestlite.com

**Bestlite customer:**

Enjoyment on your Bestlite:  
To clean the lamp, use a damp cloth soaked in warm water and a bit of mild detergent.  
Do not use household cleaners.  
Do not use acidic or alkaline cleaning products, glass cleaner or household products.

Bestlite  
GUBI A/S

**BESTLITE**  
GUBI A/S

