



TASSEL™ 1 PENDANT

THE TASSEL SERIES CONDENSES THE WARMTH AND DECADENCE OF A TRADITIONAL CHANDELIER TO A CONCISE, MODERN CONCLUSION. EMANATING FROM A BRASS DOME, THE LIGHT IS AMPLIFIED AS IT REFRACTS THROUGH MOLD-BLOWN GLASS CYLINDERS.

A P P A R A T U S

TASSEL™ 1

PENDANT

DIMENSIONS: Ø 3"

HEIGHT TO ORDER

MINIMUM HEIGHT 22"

INCLUDES UP TO 60"

APPROXIMATE WEIGHT: 5 LBS

LAMPING: 1 8W DIMMABLE LED MODULE

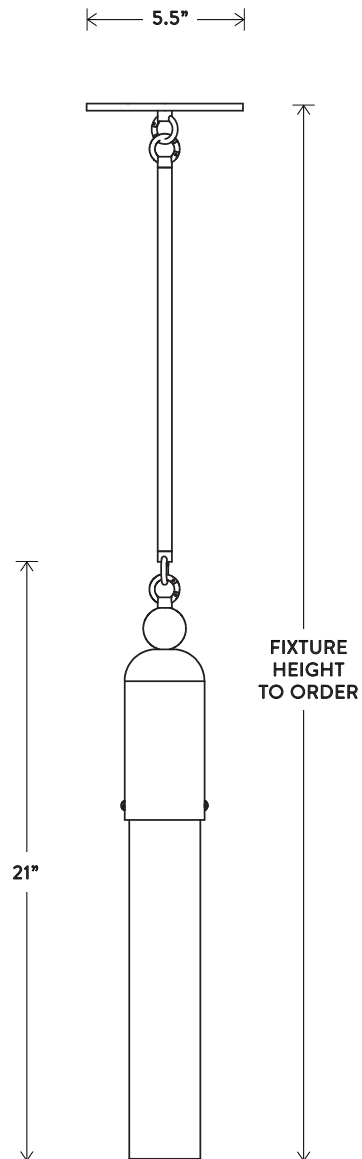
800 LUMENS, 2700K COLOR TEMPERATURE

LED ONBOARD DRIVER

BULB LIFE: 50,000 HOURS

UL / CE APPROVED

VOLTAGE: 120-240



A P P A R A T U S



TASSEL™ 3 PENDANT

THE TASSEL SERIES CONDENSES THE WARMTH AND DECADENCE OF A TRADITIONAL CHANDELIER TO A CONCISE, MODERN CONCLUSION. EMANATING FROM A BRASS DOME, THE LIGHT IS AMPLIFIED AS IT REFRACTS THROUGH MOLD-BLOWN GLASS CYLINDERS.

A P P A R A T U S

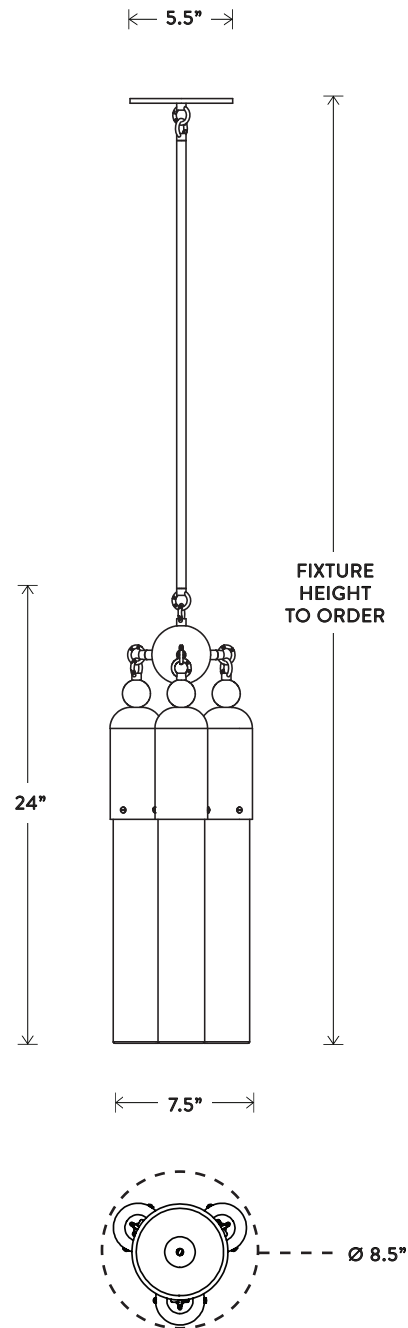
TASSEL™ 3

PENDANT

DIMENSIONS: Ø 8.5"
HEIGHT TO ORDER
MINIMUM HEIGHT 25"
INCLUDES UP TO 60"
APPROXIMATE WEIGHT: 15 LBS

LAMPING: 3 8W DIMMABLE LED MODULE
1750 LUMENS, 2700K COLOR TEMPERATURE
LED ONBOARD DRIVER
BULB LIFE: 50,000 HOURS

UL / CE APPROVED
VOLTAGE: 120-240



A P P A R A T U S