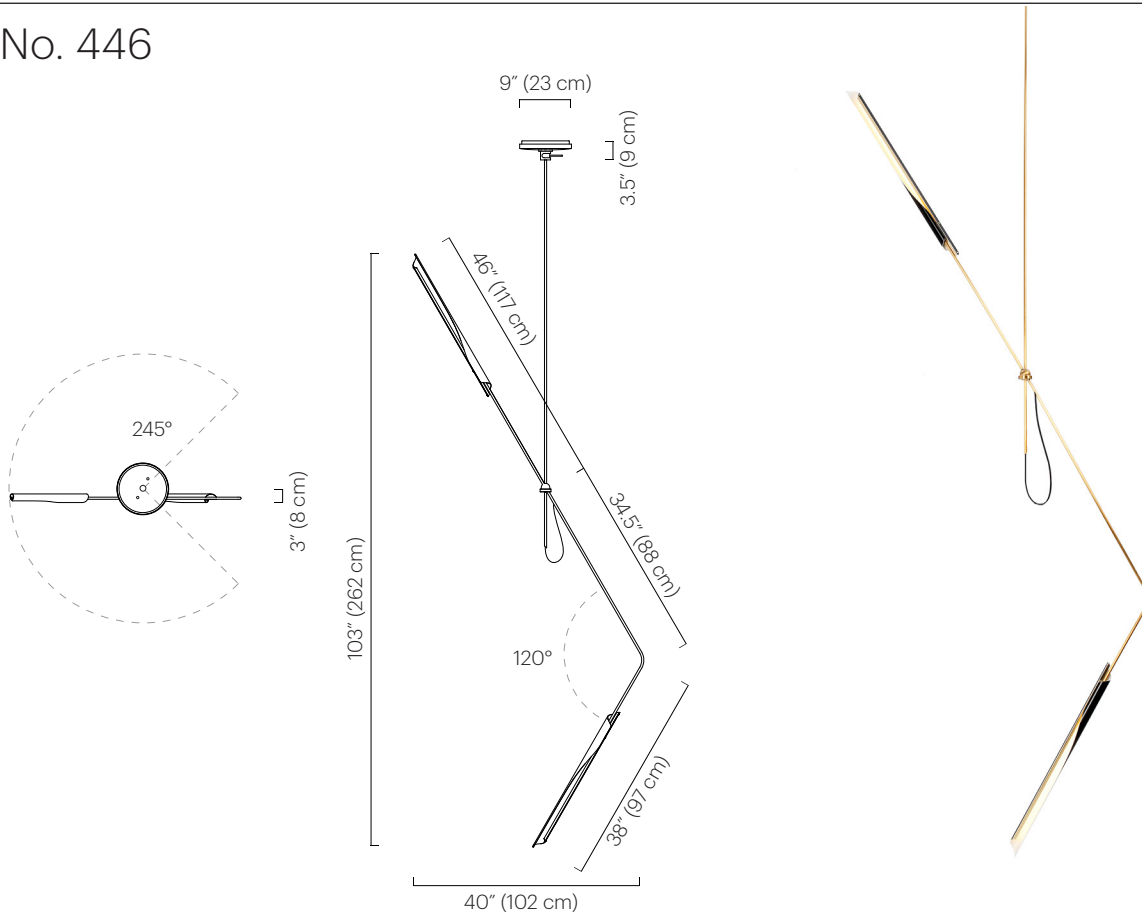


No. 446



Description

The OTTO L features one bent arm with an OTTO shade on each end. The OTTO shade contains a dimmable LED source and rotates 300° to cast light directionally. The fixture can rotate 245° from the canopy. Fixture is balanced by design; angle is not adjustable.

Materials

Shade: Powder coated aluminum
 Ceiling mount: Powder coated and plated aluminum
 Frame: Plated brass
 Drop: Plated brass
 Hardware: Plated and polished brass

Shade Color

- Black Satin (ivory satin interior)
- Grey Gloss (ivory satin interior)
- Ivory Satin (ivory satin interior)
- White Satin (white satin interior)

Custom colors available.

Finish

- Brushed Brass
- Polished Nickel

Custom finishes available.

Lamping

LED: Warm white 2700K
 Lumens: 1680 (equivalent to two 60W incandescent bulbs)
 CRI: 80+
 50,000 LED life hours (approx.)

Power Supply

For 120V areas: 40W 24V phase dimmable class 2 included in canopy.
 For 220-240V areas: remote power supply only. Not included.

Dimmer Compatibility

Dimmable with MLV/TRIAC (leading edge) switch

Voltage / Wattage

24V / 22 watts

Weight

5 lbs (2.3 kg)

Remarks

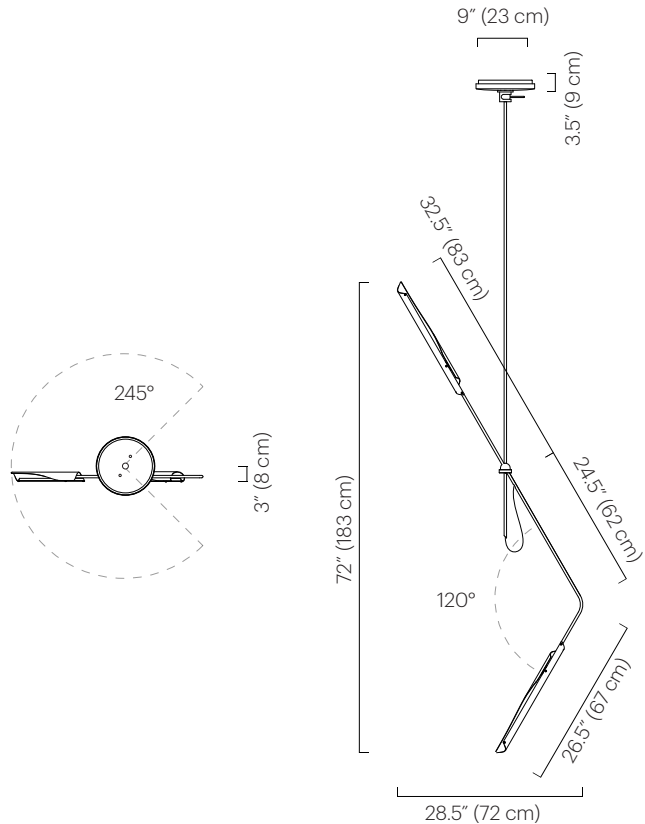
Specify drop length. Fixed drop not adjustable on site. Arm length is fixed. Not for use on sloped ceilings. Black exterior electrical cord is standard. Hardware finish consistent with frame finish. Ceiling mount consistent with shade color. Additional weight support recommended for junction box installation. Indoor use and dry locations only.

Dimensions

3" D x 40" W x 103" H
 (8 D x 102 W x 262 cm H)
 Canopy mount: 9" Ø x 3.5" H
 (23 Ø x 9 cm H)
 Shades: 1.5" Ø x 28" L
 (4 Ø x 71 cm L)
 Min overall height: 109"
 (277 cm)



No. 446



Description

The OTTO LS features one bent arm with an OTTO shade on each end. The OTTO shades contain a dimmable LED source and rotate 300° to cast light directionally. The fixture can rotate 245° from the canopy. Fixture is balanced by design; angle is not adjustable.

Materials

Shade: Powder coated aluminum
 Ceiling mount: Powder coated and plated aluminum
 Frame: Plated brass
 Drop: Plated brass
 Hardware: Plated and polished brass

Shade Color

- Black Satin (ivory satin interior)
- Grey Gloss (ivory satin interior)
- Ivory Satin (ivory satin interior)
- White Satin (white satin interior)

Custom colors available.

Finish

- Brushed Brass
- Polished Nickel

Custom finishes available.

Lamping

LED: Warm white 2700K
 Lumens: 1000 (equivalent to two 40W incandescent bulbs)
 CRI: 80+
 50,000 LED life hours (approx.)

Power Supply

For 120V areas: 40W 24V phase dimmable class 2 included in canopy.
 For 220-240V areas: remote power supply only. Not included.

Dimmer Compatibility

Dimmable with MLV/TRIAC (leading edge) switch

Voltage / Wattage

24V / 22 watts

Weight

5 lbs (2.3 kg)

Remarks

Specify drop length. Fixed drop not adjustable on site. Arm length is fixed. Not for use on sloped ceilings. Black exterior electrical cord is standard. Hardware finish consistent with frame finish. Ceiling mount consistent with shade color. Additional weight support recommended for junction box installation. Indoor use and dry locations only.

Dimensions

3" D x 28.5" W x 72" H
 (8 D x 72 W x 183 cm H)
 Canopy mount: 9" Ø x 3.5" H
 (23 Ø x 9 cm H)
 Shades: 1.5" Ø x 20" L
 (4 Ø x 51 cm L)
 Min overall height: 78"
 (198 cm)

