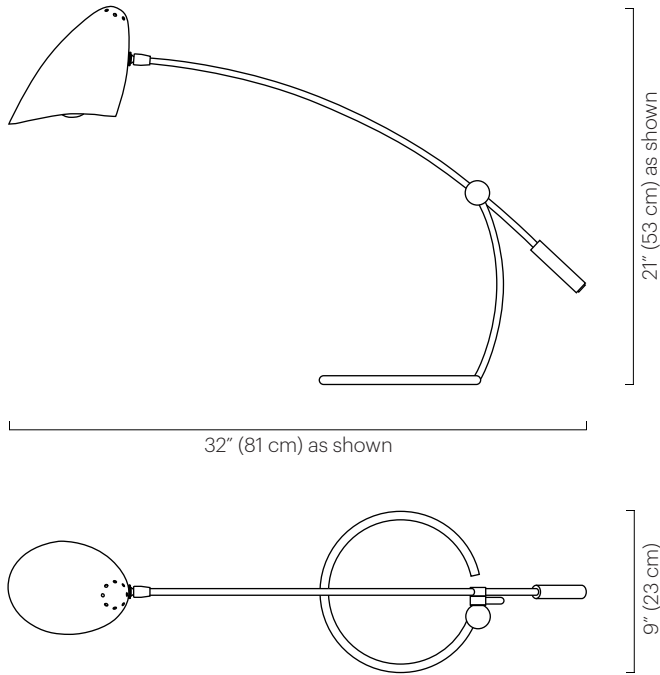


No. 109



Bullet shade option

Description

The Adjustable Arc features a counterweighted arm that adjusts up and down to desired height. The handspun aluminum shade rotates 320 degrees to cast light directionally. May be ordered with Bullet or Bottle shades.

Materials

Shade: Powder coated aluminum
 Frame: Plated steel
 Counterweight: Power coated steel

Shade Color Bullet

- Black Satin (ivory satin interior)
- Polished Nickel

Lamping

120V: A19 or A15 medium base 60W max
 220-240V: E27 base 60W max
 Note: Bulbs not included. Halogen bulbs not recommended.

Wattage

60 watts max

Weight

5 lbs (2.3 kg)

Remarks

Bullet shade: On/Off switch located on cord.
 Bottle shade 120V: On/Off switch located on shade and cord.
 220-240V: On/Off switch located on cord.

Remarks Continued

Available to be wired UL. Cord color is black; length approx. 7 feet. Counterweight and arm adjustment are always black. Indoor use and dry locations only.

Dimensions

Base: 9" Ø (23 cm)
 Height variable.
 Adjusts up to 36.5" H (93 cm)
 Bullet Shade: 9" H x 6" W x 6.5" D (23 H x 15 W x 17 cm D)
 Bottle Shade: 8.5" H x 5.5" W x 8.5" D (22 H x 14 W x 22 cm D)